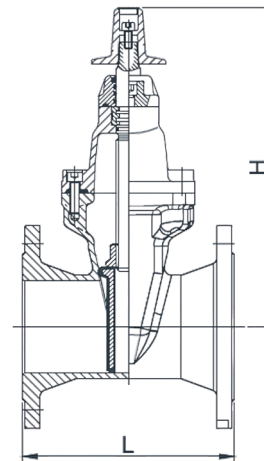
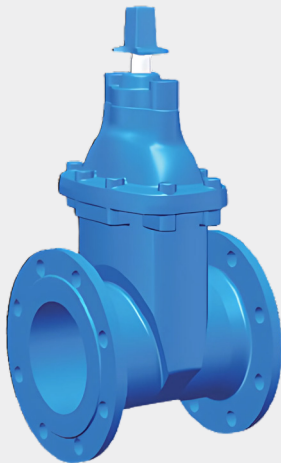


Acu-Flow

Resilient Seated Gate Valves



Specification:

- Triple O-Ring Stem Seal.
- Flange and Drilling comply with AS4087 (AS2129 Table E also available).
- Face to Face dimensions according to AS/NZS 2638.2
- Working Pressure: 16bar for AS4087 PN16 or 14bar for AS2129 Table E.
- DI Body, DI Wedge encapsulated with portable water EPDM.
- Gate valve complies with AS2638.2-2011.

Corrosion Protection

- Internally and Externally Fusion Bonded Epoxy Powder Coated.

Options

- Operated with Handweel, Operating Nut.
- Anti clockwise and clockwise direction.

| DN | CODE | L | H |
|-----|--------|-----|-----|
| 80 | GAT080 | 203 | 306 |
| 100 | GAT100 | 229 | 345 |
| 150 | GAT150 | 267 | 444 |
| 200 | GAT200 | 292 | 554 |
| 250 | GAT250 | 330 | 659 |
| 300 | GAT300 | 356 | 742 |

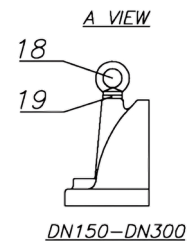
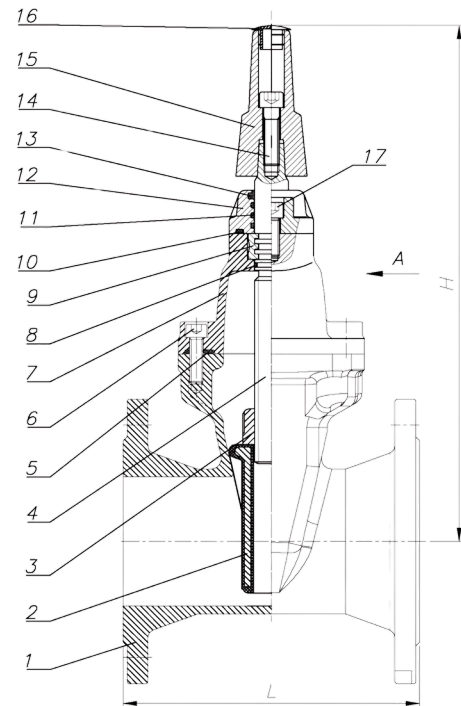
**WE CARE.
OUR SOLUTIONS.
YOUR SUCCESS.**



Acu-Flow

Resilient Seated Gate Valves

| NO. | DESCRIPTION | MATERIAL |
|-----|---------------|-------------------------------------|
| 1 | Body | Ductile Iron, AS1831, Gr.450-10 |
| 2 | Wedge | Ductile Iron with EPDM Encapsulated |
| 3 | Wedge Nut | Bronze, ASTM B148, C95200 |
| 4 | Spindle | Stainless Steel, ASTM A276, Gr.431 |
| 5 | Gasket | Rubber, AS1646 Series EPDM |
| 6 | Socket Screw | Stainless Steel, ASTM A276, Gr.316 |
| 7 | Bonnet | Ductile Iron, AS1831, Gr. 450-10 |
| 8 | O-Ring | Rubber, AS1646, NBR |
| 9 | Thrust Collar | Bronze, ASTM B148, C95200 |
| 10 | O-Ring | Rubber, AS1646, NBR |
| 11 | O-Ring | Rubber, AS1646, NBR |
| 12 | Gland | Ductile Iron, AS1831, Gr. 450-10 |
| 13 | Dustband | Rubber, AS1646, NBR |
| 14 | Socket Screw | Stainless Steel, ASTM A276, Gr.316 |
| 15 | Spindle Cap | Ductile Iron, AS1831, Gr.450-10 |
| 16 | Cap Top Plug | Plastic, PE |
| 17 | Socket Screw | Stainless Steel, ASTM A276, Gr.316 |
| 18 | Eyebolt | Stainless Steel, ASTM A276, Gr.316 |
| 19 | Washer | Stainless Steel, ASTM A276, Gr.316 |



Note: Large sizes available on request.

**WE CARE.
OUR SOLUTIONS.
YOUR SUCCESS.**

