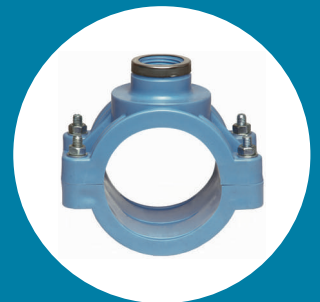
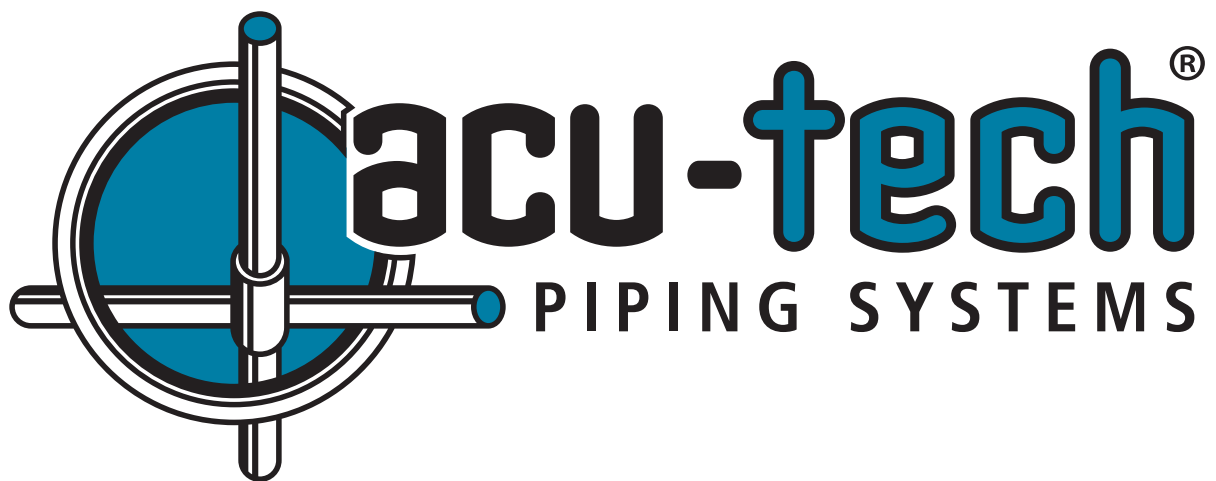


# COMPRESSION FITTINGS





# Put your trust in quality and expertise



## CERTIFICATE OF REGISTRATION

This is to certify that:

**The Trustee for The Morren Family Trust**

ABN 52 394 633 042

Trading As

**Acu-Tech Piping Systems**

119 Kelvin Road Maddington WA 6109 AUSTRALIA

operates a

**QUALITY MANAGEMENT SYSTEM**

which complies with the requirements of  
**ISO/TS 29001:2010**

for the following scope

The supply of piping systems and components.

**Certificate No: OAG20010**

Issued: 2 April 2013  
Expires: 16 February 2015

Originally Certified: 17 February 2012  
Current Certification: 25 March 2013

Samer Chaouk  
Head of Policy, Risk and Certification

Paul Butcher  
Global Head – Assurance Services



Registered by:  
SAI Global Certification Services Pty Ltd (ACN 108 716 669) 286 Sussex Street Sydney NSW 2000 Australia with SAI Global Limited  
286 Sussex Street Sydney NSW 2000 Australia ("SAI Global") and subject to the SAI Global Terms and Conditions for Certification.  
While all due care and skill was exercised in carrying out this assessment, SAI Global accepts responsibility only for proven  
negligence. This certificate remains the property of SAI Global and must be returned to SAI Global upon its request. To verify that this  
certificate is current please refer to SAI Global On-Line Certification register at <http://www.saiglobal.com>



INFORM. INSPIRE. IMPROVE.



## CERTIFICATE OF REGISTRATION

This is to certify that:

**The Trustee for The Morren Family Trust**

ABN 52 394 633 042

Trading As

**Acu-Tech Piping Systems**

119 Kelvin Road Maddington WA 6109 AUSTRALIA

operates a

**QUALITY MANAGEMENT SYSTEM**

which complies with the requirements of  
**ISO 9001:2008**

for the following scope

The supply of piping systems and components.

**Certificate No: QEC29280**

Issued: 2 April 2013  
Expires: 16 February 2015

Originally Certified: 17 February 2012  
Current Certification: 25 March 2013

Samer Chaouk  
Head of Policy, Risk and Certification

Paul Butcher  
Global Head – Assurance Services



WWW.JAS-ANZ.ORG/REGISTER

Registered by:  
SAI Global Certification Services Pty Ltd (ACN 108 716 669) 286 Sussex Street Sydney NSW 2000 Australia with SAI Global Limited  
286 Sussex Street Sydney NSW 2000 Australia ("SAI Global") and subject to the SAI Global Terms and Conditions for Certification.  
While all due care and skill was exercised in carrying out this assessment, SAI Global accepts responsibility only for proven  
negligence. This certificate remains the property of SAI Global and must be returned to SAI Global upon its request. To verify that this  
certificate is current please refer to SAI Global On-Line Certification register at <http://www.saiglobal.com>



INFORM. INSPIRE. IMPROVE.

# Company Introduction

Acu-Tech Piping Systems is a specialist manufacturer and supplier of pipe systems for fluid / gas transfer and cable protection. Our systems are utilised in a wide range of applications across the resource, civil, plumbing and industrial sectors.

Manufactured primarily from Polyethylene (PE) and Polypropylene (PP) thermoplastics, Acu-Tech Pipe Systems incorporate the most innovative and advanced pipe system technology available.

Acu-Tech is a privately owned and operated Australian company. The founders and owners continue to manage daily operations, ensuring inspiration, leadership, flexible decision making and accountability throughout the company.



## Customer Focus

With a commitment to providing the highest quality service and support, along with decades of combined experience and a positive 'can do' culture, the people behind Acu-Tech Piping Systems are committed to ensuring the long term success of your business.

The calibre and dedication of the Acu-Tech team ensures that the highest possible standards of customer support and service are provided at every stage of a project.

## Our Mission

- To provide the pipeline industry with systems of the highest quality, integrity and innovation, and in doing so, to ensure that Acu-Tech "adds value" to our customers' business.
- To provide outstanding service, training and technical support to our customers, and in that way be considered as an integral part of their enterprises.
- To encourage forward thinking and innovation.
- To continuously look for ways to improve our performance.
- To maintain a comprehensive stock inventory
- To ensure that every project runs smoothly. To put our values at the centre of everything we do, now and in the future.



## Our Values

- We base the relationships we have on Trust & Integrity.
- We believe our people are our most Precious asset.
- We believe good Communication is essential to a successful business, with our team, our suppliers and most of all, with our customers.
- We focus on providing Quality in all aspects of our business.
- We believe in adopting a Caring approach to people and to our environment.
- We take Pride in everything we do, and the way we do it.
- We will always emphasise Safety.

# Our Vision

Our Vision

To be recognised by engineers and contractors as the industry leader in **pipeline solutions**



## Products

**Acu-Tech** offers a complete range of piping systems for pressure and drainage applications, manufactured primarily from polyethylene (PE). The advantages of PE piping systems have been appreciated in the gas and water industries and by general industrial users for over 30 years.

## Our Capabilities

- Manufacturers of HD-PE100 pipes  $\phi$  20mm to 800mm in lengths and coils. Option of striping or full coating for system specific colour coding.
- Fabrication of bend and tee fittings  $\phi$  32mm to 800mm.
- Fabrication of  $\phi$  20mm to 800mm pipe spools, tanks and components to client specifications.
- Fusion Welding Training and weld/material testing.

Importing and distribution. Large inventory of:

- High quality European electrofusion and spigot fittings
- Flanges, gaskets and bolt sets.
- Valves - gate, ball, check and butterfly.
- Fusion welding equipment.
- Polypropylene PP-RCT pipe systems for hot and cold water and chemicals

Quality Assurance:

- Certified Quality Assurance Management Systems to ISO 9001 Quality management systems; and,
- ISO/TS 29001 Petroleum, petrochemical and natural gas industries - Sector specific quality management systems- Requirements for product and service supply organisations.
- HD-PE pipe WaterMark certified to AS/NZS 4130
- HD-PE electrofusion and spigot fittings WaterMark certified to AS/NZS 4129.



## Market Orientated

Acu-Tech's polyethylene products find a broad range of applications in the Industrial, Mining, Plumbing and Utilities markets. The utilities of water and gas distribution are important sectors for high integrity products where the maintenance of water quality and the safe transport of gaseous fuels are of paramount importance. Industrial and Mining applications include mineral slurries, alternative energy installations in landfill gas systems, to effluent transportation. Products are widely used in pipeline installation, repair and maintenance. Acu-Tech also supplies a number of other systems, including:

- HDPE Drainage Pipe System for greasy or chemical wastes and Siphonic roof drainage.
- Polypropylene (PPR) Pipe System for above ground hot & cold water systems.

**For More information**

**Please contact our sales team on +61 8 9238 8000 (WA), or +61 3 9338 0300 (VIC)**



5. OVERVIEW



7. MATERIALS



9. ASSEMBLY INSTRUCTIONS  
16MM-63MM



10. ASSEMBLY INSTRUCTIONS  
75MM-110MM



11. ASSEMBLY INSTRUCTIONS  
CLAMP SADDLE



12. ASSEMBLY INSTRUCTIONS  
ALTERNATIVE CLAMP SADDLE



13. COUPLER



14. REDUCER



15. MALE ADAPTOR



16. FEMALE ADAPTOR



17. 90° ELBOW



18. ELBOW WITH MALE END



19. ELBOW WITH FEMALE END



20. EQUAL TEE



21. REDUCING TEE



22. TEE WITH MALE TAKE-OFF



23. TEE WITH FEMALE TAKE-OFF



24. END CAP



25. FLANGE



26. CLAMP SADDLE - PN16



27. CLAMP SADDLE - PN10



27. MECHANICAL TAPPING BAND



28 - 31. THREADED FITTINGS



32. ACU-TECH PRODUCT OVERVIEW



# COMPRESSION FITTINGS OVERVIEW

## FIELDS OF APPLICATION

Acu-Tech compression fittings and clamp saddles are designed specifically for connecting polyethylene pipes with an outside diameter from 16 to 110mm (200mm for clamp saddles). They are compatible with PELD, PEHD, PE40, PE80 and PE100 pipes complying with AS / NZS 4130 Series 1. They are normally used to convey drinking water and fluids at pressures up to 16 bar for generic applications. The quality of the materials used makes these fittings resistant to etching by numerous chemical substances, and to UV-rays.

The Acu-Tech Universal Fitting can be used to connect systems using PE metric Piping with existing pipes made of any material, with external diameters of 15-34mm.

## OPERATING TEMPERATURES

Fittings and clamp saddles are not suitable for use with hot water for the limits dictated by the use of polyethylene pipes. Maximum operating temperatures refer to the use of polyethylene pipes; it is therefore necessary to refer to the regulations applicable in the country of use. The fittings and clamp saddles can withstand temperatures below 0°C. The table below shows the maximum operation (PFA) with changes in temperature if the liquid is water, in compliance with EN 805, EN 12201 and ISO 13761. For values falling within the set range, a linear interpolation can be obtained.

Operating T (C)	≤ 20	25	30	35	40	45
PFA [bar]	16	14.9	13.9	12.8	11.8	10.8
PFA [bar]	10	9.3	8.7	8	7.4	6.7

## HEALTH STANDARDS

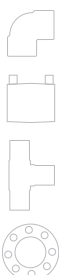
Acu-Tech fittings and clamp saddles comply with the regulations on the conveyance of drinking water for human consumption, in accordance with the regulations applicable in numerous countries. For more information please contact our sales team.

## TENSILE STRENGTH

All Acu-Tech fittings undergo tensile strength test with the loads shown in the table below, in compliance with the strictest standards and regulations.

PIPE PE100 - PN16		
Ø [mm]	F [N]	F [kgf]
16	833	85
20	1225	125
25	1774	181
32	2950	301
40	4557	465
50	7076	722
63	11250	1148
75	15719	1604
90	22736	2320
110	33898	3459

5

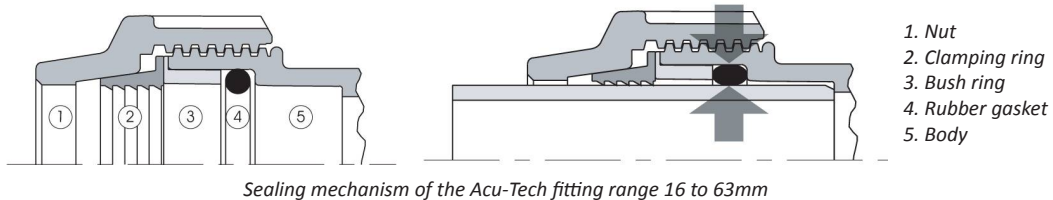




# COMPRESSION FITTINGS OVERVIEW

## HYDRAULIC SEAL

Pressure rating in a mechanical fitting depends on the type of gasket used and the pressure the fitting is able to withstand when installed on the contact surfaces between the gasket itself, the pipe and fitting body.



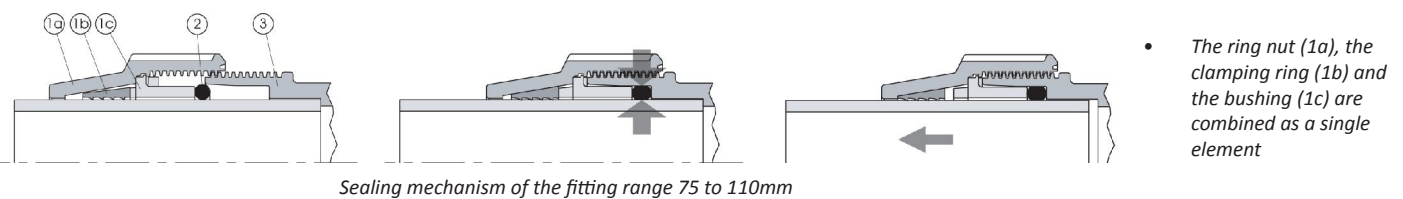
In the study and development of Acu-Tech fittings, different solutions have been tested under the most arduous conditions at which the fittings can be subjected during operation to check the status of the pipe to be joined (circumference undersizing) and the load applied. In fact, a fitting installed in a system can be subjected to stress due to continuous variable pressure cycles, overpressure due to disturbances such as water hammer, external pressure, tensile stresses, flexibility and other loads.

A system is generally expected to last many years and the fittings must guarantee consistent performance over the life of the fitting. Tests have revealed that the type of gasket guaranteeing the best performance in all possible cases is the O-ring seal with toroidal geometry (an O-ring seal is normally used in mechanical applications).



In order to ensure the highest degree of safety at all times, it is important that the gasket compression is not linked to ring nut torque of the fitting or release of the ring nut when subjected to pressure cycles.

Acu-Tech fittings are equipped with an O-Ring seal placed firmly in a cylindrical seat and do not require any compression rings.



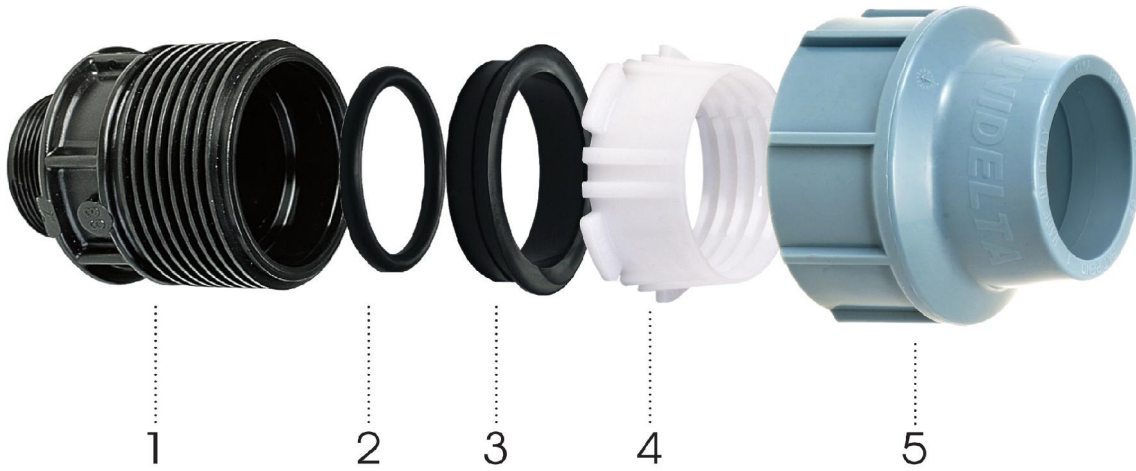
For fittings diameter 75, 90 and 110mm, the DELT-ONE system has been developed to provide a ring nut, a clamping ring and the bushing joined together to form a single component. The gasket is used is always the O-Ring type, like the classic model. This makes the assembly of the fitting extremely quick and easy, without affecting the safety features of the gasket.



- The ring nut (1a), the clamping ring (1b) and the bushing (1c) are joined in a single element to facilitate assembly of the fitting onto the pipe.



## COMPRESSION FITTINGS



1. **Body:** Polypropylene, high-stability copolymer (PP-B) with UV protection

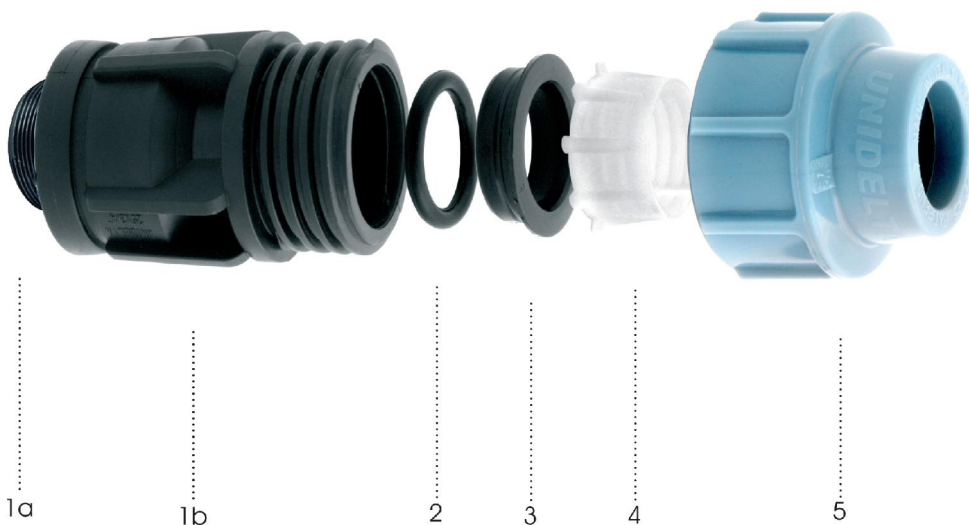
2. **Seal:** Nitrile rubber (NBR).

3. **Bush Ring:** Polypropylene, high-stability copolymer (PP-B) with UV protection.

4. **Clamping Ring:** Acetalic resin (POM)

5. **Nut:** Polypropylene, high-stability copolymer (PP-B) with UV protection

## TRANSITION COMPRESSION FITTINGS



1a. **BSP Thread**

1b. **Body:** Polypropylene, high-stability copolymer (PP-B) with UV protection

2. **Seal:** Nitrate rubber (NBR).

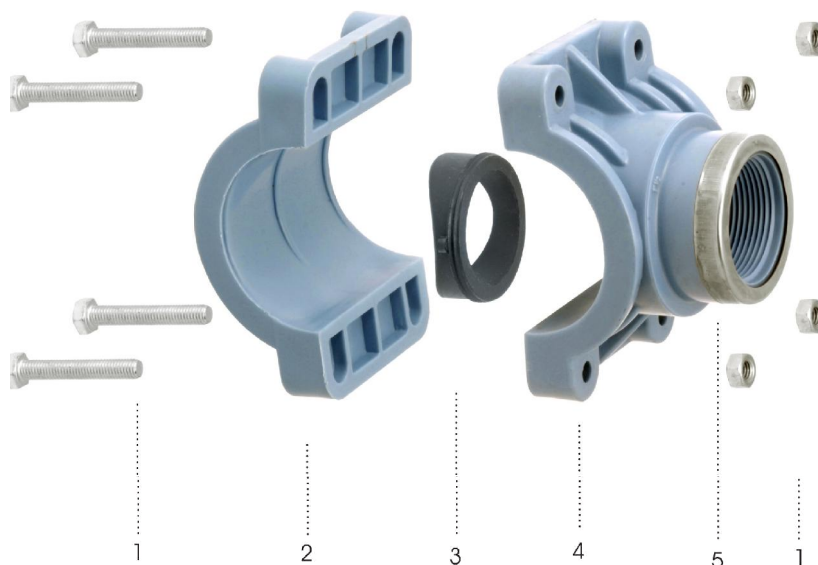
3. **Bush Ring:** Polypropylene, high stability copolymer (PP-B) with UV Protection.

4. **Clamping Ring:** Acetalic resin (POM)

5. **Nut:** Polypropylene, high stability copolymer (PP-B) with UV Protection.



## PN16 CLAMP SADDLES



1. **Bolts:** Galvanised steel.

2. **Clamp Saddles Base:** Polypropylene, high-stability copolymer (PP-B) with UV protection.

3. **Seal:** Nitrile rubber (NBR).

4. **Clamp Saddles Branch:** Polypropylene, high stability copolymer (PP-B) with UV protection

5. **Reinforcing Ring:** Stainless steel.

## PN10 CLAMP SADDLES



1. **Bolts:** Galvanised steel.

2. **Clamp Saddles Base:** Polypropylene, high-stability copolymer (PP-B) with UV protection.

3. **Seal:** Nitrile rubber (NBR).

4. **Clamp Saddles Branch:** Polypropylene, high stability copolymer (PP-B) with UV protection



# 16MM ~ 63MM ASSEMBLY INSTRUCTIONS

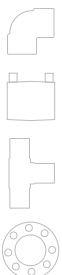
1. Cut the pipe squarely using special pipe cutting tools or a circular or band saw. It is advisable to use a guide box to ensure a square cut

2. Eliminate any burrs and bevel the end of the pipe to facilitate easy assembly and to prevent damage to the filling gasket. The outer surface of the pipe must be free from imperfections or indentations where the body of the fitting makes contact with the pipe.

3. Unscrew the blue nut and put it onto pipe followed by the white clamping ring. Make sure the clamping ring is in the correct position, with the largest diameter facing the fitting.

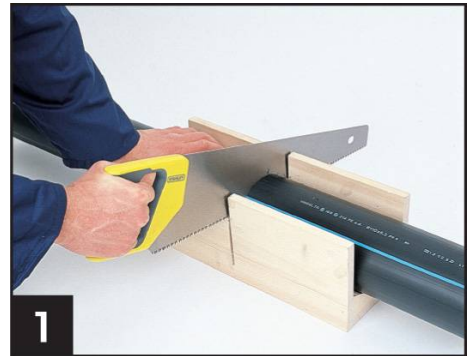
4. Press the pipe axially into the fitting, past the gasket, until it touches the internal register inside the fitting body.

5. Tighten the ring nut by hand and then use the torque wrench provided. The ring nut must be tight, but it does not need to reach the end of the fitting body.



# 75MM ~ 110MM ASSEMBLY INSTRUCTIONS

1. Cut the pipe at right angles using a special pipe cutter or a circular belt saw. When using a belt saw, it is advisable to use a guide box to ensure a square cut



2. Unscrew the blue ring nut without removing the rings locked inside (integral component).



3. Place the integrated component on the pipe followed by the gasket. It is useful to lubricate the end of the pipe and the gasket with a silicone-based lubricant or other lubricant that does not affect the drinking properties of the water.



4. Press the pipe axially into the fitting until it touches the internal register inside the fitting body.



4. Tighten the ring nut by hand and then use the torque wrench provided. The ring nut must be tight, but it does not need to reach the end of the fitting body.



# CLAMP SADDLE ASSEMBLY INSTRUCTIONS

1. Identify the point of installation and make sure the external surface of the pipe is free from soil, imperfections or indentations in the area of contact with the gasket. Position the gasket in the saddle seat.

2. Place the lower part of the saddle (i.e. the base) in the chosen point. Couple the upper part of the saddle (i.e. the branch) with the lower one.

3. Insert the screws from below (the bottom part of the saddle has a recess to receive the head of the screws). Tighten the nuts alternately.

4a. Drill a hole in the pipe wall being careful not to damage the saddle screw head and the O-ring. Use a spacer to avoid drilling the other side of the pipe. It would be better use a milling drill not to damage the saddle screw thread and the O-Ring and in order to reduce the scraps into the pipe.



## ALTERNATIVE CLAMP SADDLE ASSEMBLY INSTRUCTIONS

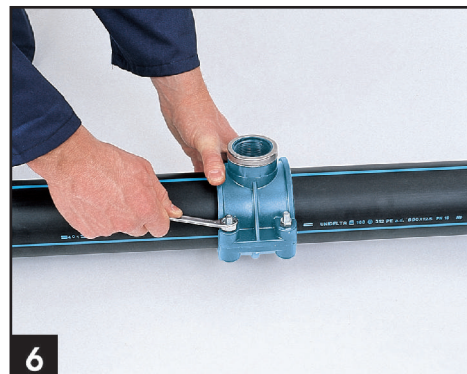
4b. Use a white indelible felt-tip pen to draw a reference point on the pipe to allow repositioning of the saddle. Remove the saddle from the pipe.



5. Drill the hole in the wall and remove scraps.



6. Assemble the saddle according to the marked lines; to keep the hole in axis with the branch direction it can help to use a pin, such as the drill used to make the hole.



### ACU-TECH TRAINING COURSES

As with all welding carried out on any material used for engineering purposes, fusion welding of polyethylene and polypropylene is a skilled operation which must be carried out by trained and accredited tradespersons. The use of untrained operators is a serious risk as it may lead to weld failures.

As part of our commitment to provide the industry with complete pipeline solutions of the highest quality and integrity, we have teamed up with Polyweld Tech Academy to offer Nationally Recognized Training courses in *Electrofusion*, *Butt Fusion* and *Extrusion welding* held either on site anywhere in Australia, or in our own purpose built training centre.

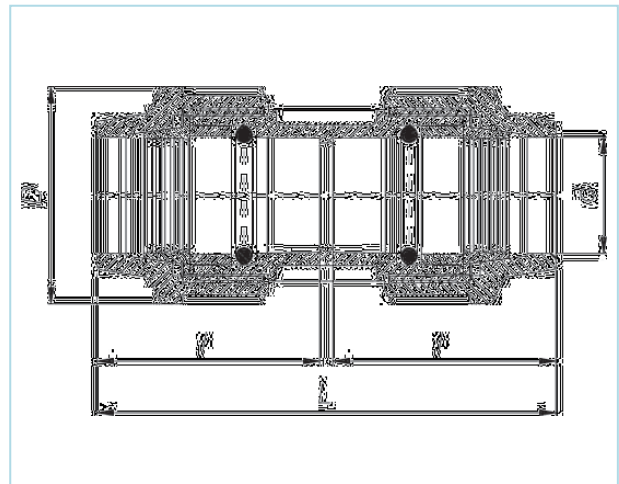
For more information and enrollments, please email [training@acu-tech.com.au](mailto:training@acu-tech.com.au), or give your Account Manager a call on (08) 9238 8000 today.



# COMPRESSION COUPLER

CODE	dx d	D	L	I	PN
70140020	20x20	46	108	52	16
70140025	25x25	55	122	59	16
70140027	27x27	55	126	61	16
70140032	32x32	63	139	68	16
70140040	40x40	79	168	82	16
70140050	50x50	96	204	102	16
70140063	63x63	115	248	121	16
70140075	75x75	129	278	136	16
70140090	90x90	155	315	154	16
70140110	110x110	183	422	205	16

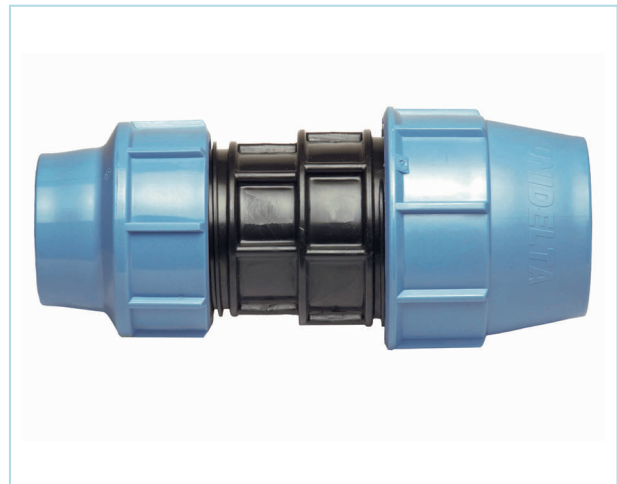
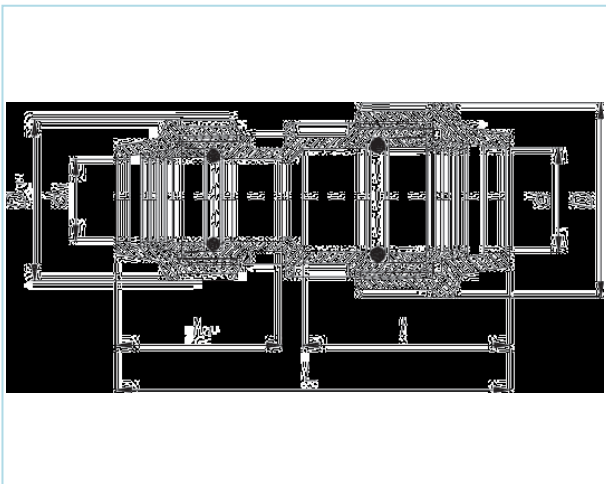
13





# COMPRESSION REDUCER

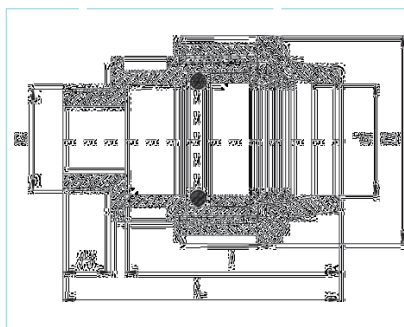
CODE	dxd <sub>1</sub>	D	D <sub>1</sub>	L	I	I <sub>1</sub>	PN
70342016	20x16	46	42	110	56	50	16
70342520	25x20	58	46	128	67	56	16
70343220	32x20	63	46	139	70	60	16
70343225	32x25	63	55	143	70	66	16
70344025	40x25	79	55	158	85	66	16
70344032	40x32	79	63	163	88	71	16
70345025	50x25	96	55	166	100	64	16
70345032	50x32	96	63	172	100	70	16
70345040	50x40	96	79	197	102	86	16
70346325	63x25	115	63	192	119	64	16
70346332	63x32	115	63	194	119	71	16
70346340	63x40	115	79	204	121	81	16
70346350	63x50	115	96	246	130	104	16
70347550	75x50	129	96	248	134	100	16
70347563	75x63	129	115	285	146	130	16
70349063	90x63	155	115	298	157	134	16
70349075	90x75	155	129	318	162	146	16
70341075	100x75	183	129	340	201	134	16
70341190	110x90	183	155	370	201	157	16



# MALE ADAPTOR

CODE	dxG	D	L	I	H	PN
73542015	20x½"	46	81	61	16	16
73542020	20x¾"	46	82	61	17	16
73542025	20x1"	46	85	61	20	16
73542515	25x½"	55	89	69	16	16
73542520	25x¾"	55	90	69	17	16
73542525	25x1"	55	93	69	20	16
73543215	32x½"	63	98	76	16	16
73543220	32x¾"	63	98	76	17	16
73543225	32x1"	63	101	76	20	16
73543232	32x1¼"	63	104	76	23	16
73543240	32x1½"	63	104	76	23	16
73544025	40x1"	79	108	82	21	16
73544032	40x1¼"	79	117	82	29	16
73544040	40x1½"	79	117	82	28	16
73544050	40x2"	79	120	82	34	16
73545025	50x1"	96	128	99	23	16
73545032	50x1¼"	96	133	99	28	16
73545040	50x1½"	96	133	99	28	16
73545050	50x2"	96	137	99	32	16
73546332	63x1¼"	115	157	120	28	16
73546340	63x1½"	115	157	120	28	16
73546350	63x2"	115	161	120	32	16
73546365	63x2½"	115	158	120	29	16
73547550	75x2"	129	171	135	27	16
73547565	75x2½"	129	178	135	34	16
73547580	75x3"	129	178	135	34	16
73549050	90x2"	155	200	158	34	16
73549065	90x2½"	155	200	158	34	16
73549080	90x3"	155	200	158	34	16
73549010	90x4"	155	200	158	36	16
73541150	110x2"	183	247	198	34	16
73541180	110x3"	183	250	198	37	16

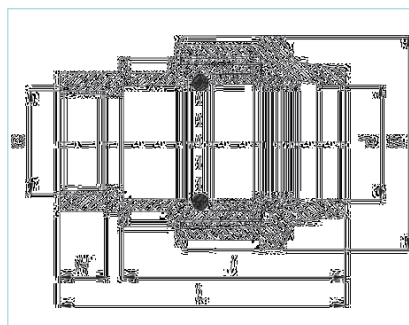
15



# FEMALE ADAPTOR

CODE	dxG	D	L	I	H	PN
73642015	20x½"	46	77	58	18	16
73642020	20x¾"	46	79	58	20	16
73642025	20x1"	46	81	58	22	16
73642515	25x½"	55	84	65	18	16
73642520	25x¾"	55	86	65	20	16
73642525	25x1"	55	88	65	22	16
73643215	32x½"	63	92	71	18	16
73643220	32x¾"	63	94	71	20	16
73643225	32x1"	63	96	71	22	16
73643232	*32x1¼"	63	97	71	23	16
73644025	40x1"	79	110	81	20	16
73644032	*40x1¼"	79	112	81	22	16
73644040	*40x1½"	79	113	81	23	16
73645032	*50x1¼"	96	131	100	22	16
73645040	*50x1½"	96	132	100	23	16
73645050	*50x2"	96	137	100	22	16
73646332	*63x1¼"	115	159	121	23	16
73646340	*63x1½"	115	160	121	28	16
73646350	*63x2"	115	165	121	22	16
73646363	*63x2½"	115	168	121	23	16
73647550	*75x2"	129	182	137	28	16
73647563	*75x2½"	129	187	137	33	16
73647580	*75x3"	129	187	137	33	16
73649050	*90x2"	155	190	152	26	16
73649063	*90x2½"	155	195	152	33	16
73649080	*90x3"	155	195	152	33	16
73641180	*110x3"	183	263	204	40	16
73641110	*110x4"	183	263	204	43	16

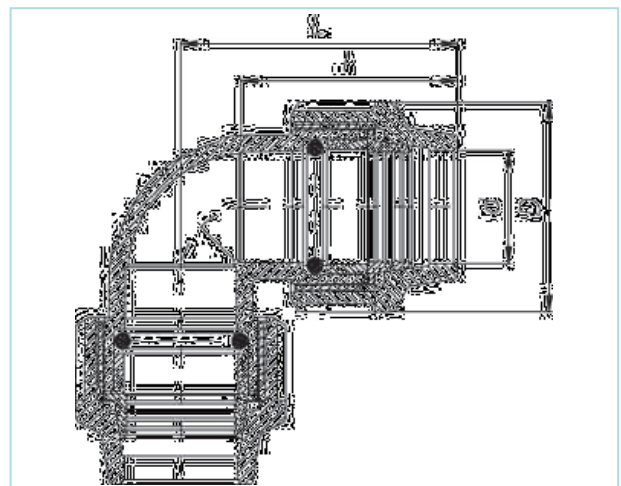
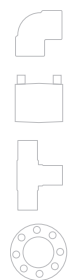
\*The threaded end is reinforced with a stainless steel ring



# 90 ELBOW

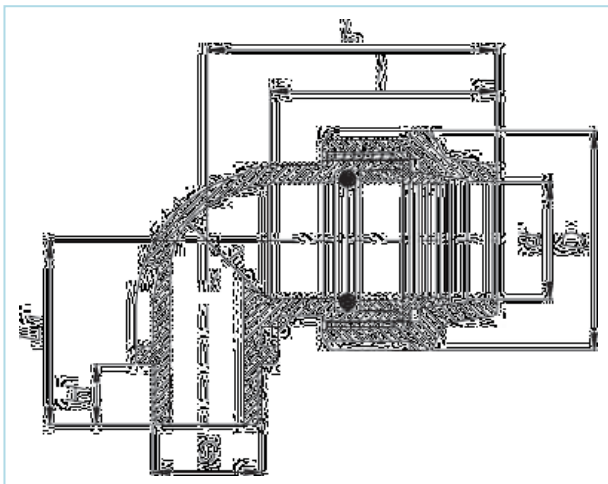
CODE	dx d	D	L	I	PN
70540020	20x20	46	51	63	16
70540025	25x25	55	63	79	16
70540032	32x32	63	71	88	16
70540040	40x40	79	80	106	16
70540050	50x50	96	100	125	16
70540063	63x63	115	123	151	16
70540075	75x75	129	136	177	16
70540090	90x90	155	156	204	16
70540110	110x110	183	201	258	16

17



# ELBOW WITH MALE END

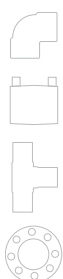
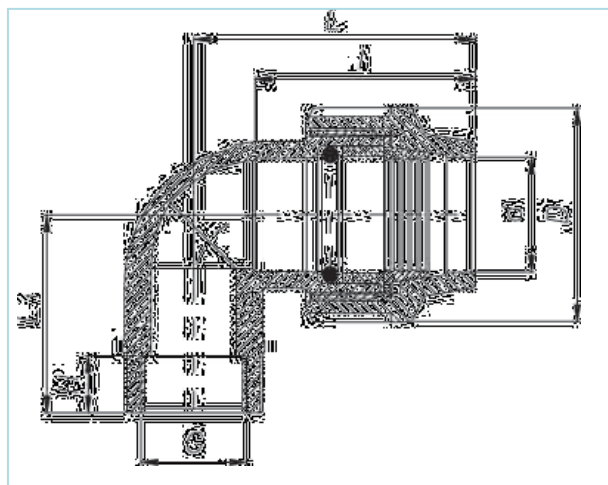
CODE	dxG	D	I	H	L	L <sub>1</sub>	PN
70742015	20x½"	46	56	18	74	39	16
70742020	20x¾"	46	56	19	74	40	16
70742515	25x½"	55	64	18	84	43	16
70742520	25x¾"	55	64	19	84	44	16
70742525	25x1"	55	64	22	84	47	16
70743215	32x½"	63	68	18	95	47	16
70743220	32x¾"	63	68	19	95	48	16
70743225	32x1	63	68	22	95	51	16
70743232	32x1¼"	63	68	25	95	54	16
70744025	40x1"	79	81	22	115	61	16
70744032	40x1¼"	79	81	25	115	64	16
70744040	40x1½"	79	81	25	115	64	16
70745032	50x1¼"	96	102	27	138	77	16
70745040	50x1½"	96	102	27	138	77	16
70746350	63x2"	115	130	28	174	100	16
70741110	110x4"	183	205	42	270	144	16



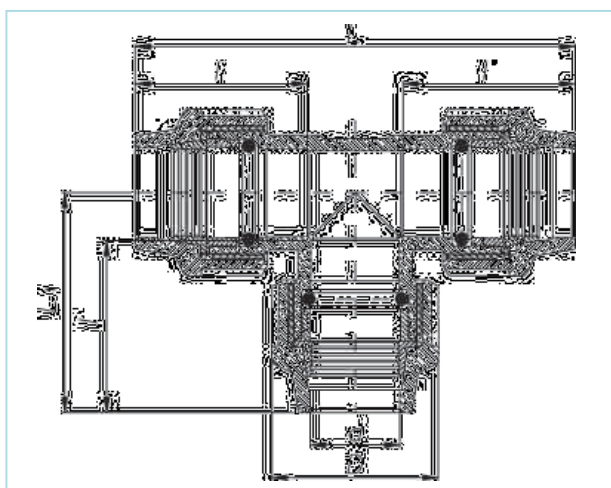
# ELBOW WITH FEMALE END

CODE	dxG	D	I	H	L	L <sub>1</sub>	PN
70642015	20x1/2"	46	56	18	57	39	16
70642020	20x3/4"	46	56	18	57	40	16
70642515	25x1/2"	55	64	18	66	45	16
70642020	25x3/4"	55	64	18	66	46	16
70642525	25x1"	55	64	20	66	48	16
70643215	32x1/2"	63	68	17	75	48	16
70643220	32x3/4"	63	68	18	75	49	16
70643225	32x1"	63	68	21	75	51	16
70643232	32x1 1/4"	63	68	26	75	56	16
70644020	40x3/4"	79	81	18	95	55	16
70644025	40x1"	79	81	21	95	59	16
70644032	40x1 1/4"	79	81	25	95	64	16
70644040	40x1 1/2"	79	81	25	95	63	16
70645032	50x1 1/4"	96	103	24	110	85	16
70645040	50x1 1/2"	96	103	27	110	92	16
70646340	63x1 1/2"	115	131	26	140	101	16
70646350	63x2"	115	131	35	140	108	16
70646365	63x2 1/2"	115	131	35	140	108	16
70647550	75x2"	129	143	36	157	123	16
70647565	75x2 1/2"	129	143	37	157	125	16
70647580	75x3"	129	143	38	157	129	16
70649080	90x3"	155	158	40	169	142	16
70649010	90x4"	155	158	40	169	142	16
70641180	110x3"	183	211	40	223	134	16
70741110	110x4"	183	205	42	270	144	16

19



CODE	dxdxd	D	L	I	L <sub>1</sub>	PN
71540020	20x20x20	46	139	59	69	16
71540025	25x25x25	55	162	66	79	16
71540032	32x32x32	63	183	74	90	16
71540040	40x40x40	79	218	88	108	16
71540050	50x50x50	96	254	100	125	16
71540063	63x63x63	115	314	124	156	16
71540075	75x75x75	129	364	142	180	16
71540090	90x90x90	155	407	154	199	16
71540110	110x110x110	183	539	209	264	16



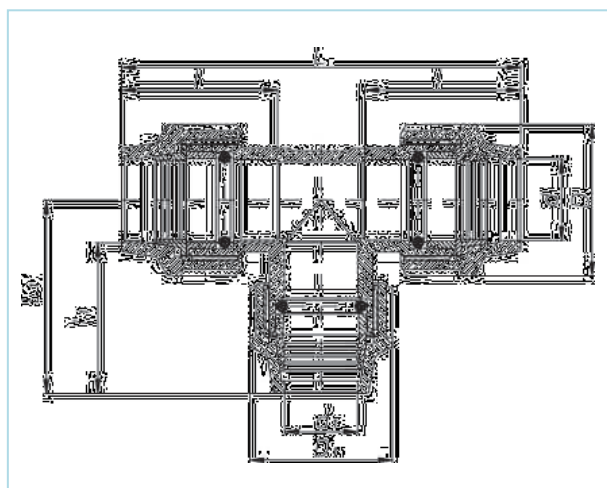
20



# REDUCING TEE

CODE	dx <sub>1</sub> xd <sub>2</sub>	D	d <sub>1</sub>	L	I	L <sub>1</sub>	I <sub>1</sub>	PN
71642016	20x16x20	46	42	141	57	67	57	16
71642520	25x20x25	55	46	160	63	73	56	16
71643220	32x20x32	63	46	183	68	74	56	16
71643225	32x25x32	63	55	183	68	84	64	16
71644025	40x25x40	79	55	222	83	92	68	16
71644032	40x32x40	79	63	222	83	101	79	16
71645025	50x25x50	96	55	265	104	98	63	16
71645032	50x32x50	96	63	265	104	107	68	16
71645040	50x40x50	96	79	265	104	124	94	16
71646325	63x25x63	115	96	336	133	116	63	16
71646332	63x32x63	115	63	336	133	113	67	16
71646340	63x40x63	115	79	336	133	136	94	16
71646350	63x50x63	115	96	336	133	143	111	16
71647563	75x63x75	129	115	365	136	170	123	16
71649063	90x63x90	155	115	415	154	192	133	16
71649075	90x75x90	155	129	407	154	195	136	16
71641190	110x90x110	183	155	535	203	231	156	16

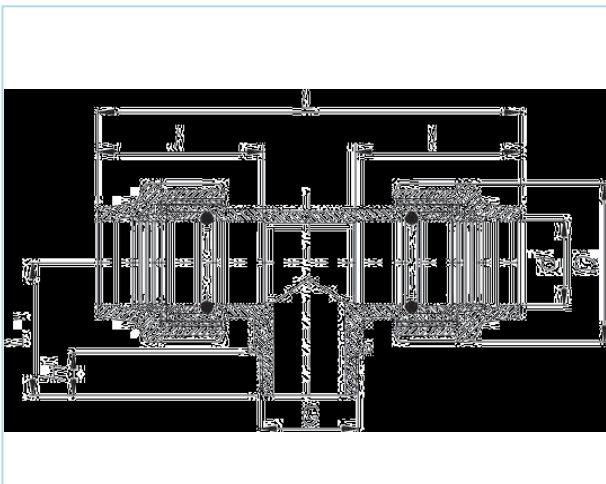
21





# TEE WITH MALE OFF-TAKE

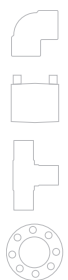
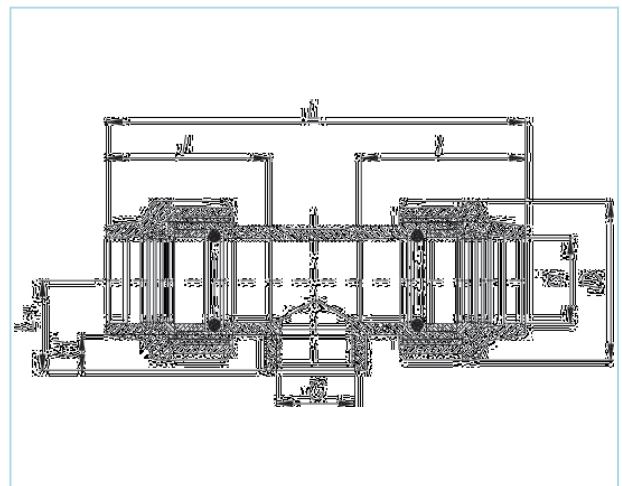
CODE	dxGxd	D	L	I	H	L <sub>1</sub>	PN
71842015	20x1/2"x20	46	139	56	16	35	16
71842020	20x3/4"x20	46	139	56	17	36	16
71842515	25x1/2"x25	55	160	63	16	35	16
71842520	25x3/4"x25	55	160	63	17	36	16
71842525	25x1"x25	55	160	63	19	38	16
71843215	32x1/2"x32	63	183	68	16	35	16
71843220	32x3/4"x32	63	183	68	17	36	16
71843225	32x1"x32	63	183	68	20	39	16
71843232	32x1 1/4"x32	63	183	68	22	41	16
71844025	40x1"x40	79	218	81	20	44	16
71844032	40x1 1/4"x40	79	218	81	22	44	16
71845040	40x1 1/2"x40	79	218	81	22	44	16
71845032	50x1 1/4"x50	96	264	103	24	49	16
71845040	50x1 1/2"x50	96	264	103	25	50	16
71845050	50x2"x50	96	264	103	29	54	16
71846340	63x1 1/2"x63	115	335	130	25	60	16
71846350	63x2"x63	115	335	130	27	62	16
71846360	63x2 1/2"x63	115	335	130	28	63	16
71847560	75x2 1/2"x75	129	365	137	32	70	16
71847580	75x3"x75	129	365	137	35	73	16
71849080	90x3"x90	155	408	155	35	73	16
71849010	90x4"x90	155	408	155	41	81	16
71841110	110x4"x110	183	538	211	42	98	16



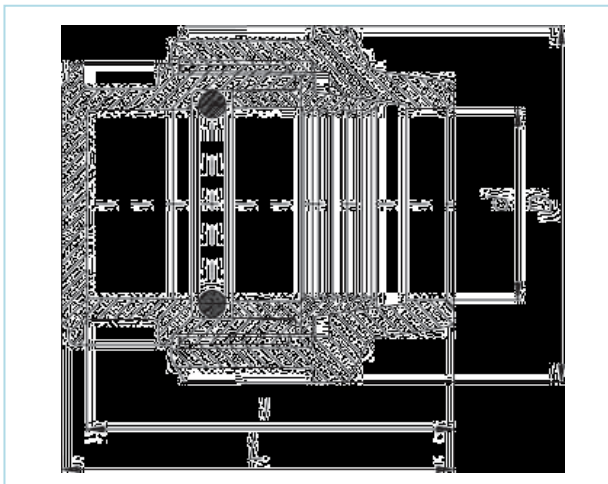
# TEE WITH FEMALE OFF-TAKE

CODE	dxGxd	D	L	I	H	L <sub>1</sub>	PN
71742015	20x1/2"x20	46	139	55	19	47	16
71742020	20x3/4"x20	46	139	55	19	47	16
71742515	25x1/2"x25	55	160	63	16	50	16
71742520	25x3/4"x25	55	160	63	16	50	16
71742525	25x1"x25	55	160	63	21	55	16
71743220	32x1/2"x32	63	183	68	17	53	16
71743220	32x3/4"x32	63	183	68	17	53	16
71743225	32x1"x32	63	183	68	21	57	16
71743232	*32x1 1/4"x32	63	183	68	24	60	16
71744025	40x1"x40	79	205	81	21	45	16
71744032	*40x1 1/4"x40	79	217	81	25	49	16
71744040	*40x1 1/2"x40	79	210	81	23	47	16
71745040	50x1/2"x50	96	254	97	31	61	16
71745032	*50x1 1/4"x50	96	254	97	24	54	16
71745040	50x1 1/2"x50	96	254	97	24	54	16
71745050	50x2"x50	96	254	97	27	57	16
71746332	*63x1 1/4"x63	115	313	123	27	62	16
71746340	*63x1 1/2"x63	115	313	123	27	62	16
71746350	63x2"x63	115	313	123	30	65	16
71746360	*63x2 1/2"x63	115	313	123	30	65	16
71747550	75x2"x75	129	362	138	35	84	16
71747560	75x2 1/2"x75	129	362	138	35	84	16
71749080	75x3"x75	129	362	138	36	85	16
71749060	*90x2 1/2"x90	155	406	154	43	91	16
71749080	*90x3"x90	155	406	154	47	95	16
71749010	*90x4"x90	155	406	154	47	95	16
71741180	*110x3"x110	183	534	205	41	104	16
71741110	110x4"x110	183	534	205	45	104	16

\*The threaded end is reinforced with a stainless steel ring



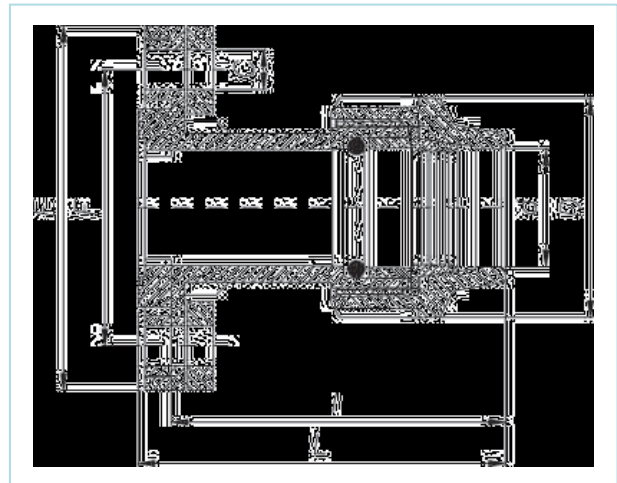
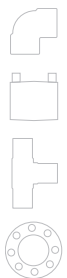
CODE	d	D	L	I	PN
72740020	20	46	70	65	16
72740025	25	55	77	72	16
72740032	32	63	85	79	16
72740040	40	79	89	83	16
72740050	50	96	111	100	16
72740063	63	115	135	123	16
72740075	75	129	158	137	16
72740090	90	155	179	158	16
72740110	110	183	226	202	16



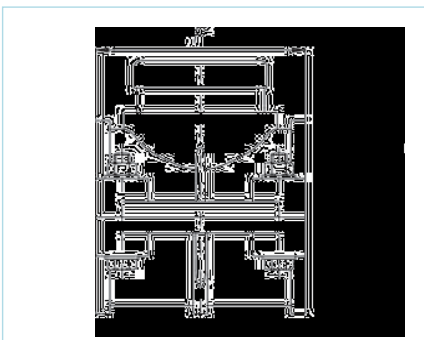
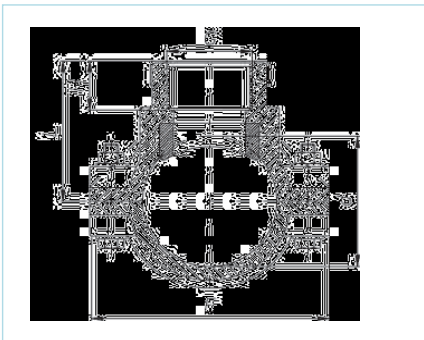
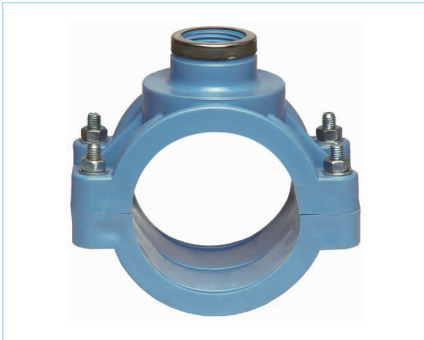
# FLANGE ADAPTOR

CODE	d	Nominal Flange Size		DN	D	L	I	E	F	C	n	PN
		mm	inch									
74145040	40	50	2	40	79	141	128	152	110	18x4	4	16
74145040	50	50	2	40	96	162	148	152	110	18x4	4	16
74145050	50	65	2.5	50	96	162	148	165	125	18x4	4	16
74146350	63	65	2.5	50	115	193	178	165	125	18x4	4	16
74146360	63	80	3	65	115	193	178	184	144	18x4	4	16
74147560	75	80	3	65	129	201	186	184	144	18x4	4	16
74149010	90	100	4	100	155	223	202	220	180	18x4	8	16
74141110	110	100	4	100	183	253	233	220	180	18x4	8	16

25



# CLAMP SADDLE WITH REINFORCING RING PN16



CODE	dxG	L	H	E	F	n	PN
72342015	20x½"	45	25	80	54	2	16
72342515	25x½"	37	19	80	54	2	16
72342520	25x¾"	43	22	80	54	2	16
72343215	32x½"	52	24	80	64	4	16
72343220	32x¾"	46	18	80	64	4	16
72344015	40x½"	51	17	87	74	4	16
72344020	40x¾"	53	20	87	74	4	16
72344025	40x1"	60	21	87	74	4	16
72345015	50x½"	65	24	102	78	4	16
72345020	50x¾"	66	26	102	78	4	16
72345025	50x1"	65	24	102	78	4	16
72346315	63x½"	70	24	116	88	4	16
72346320	63x¾"	86	23	116	88	4	16
72346325	63x1"	58	20	116	88	4	16
72346332	63x1¼"	70	26	116	88	4	16
72346340	63x1½"	63	28	116	88	4	16
72347515	75x½"	81	25	130	88	4	16
72347520	75x¾"	81	26	130	88	4	16
72347525	75x1"	80	26	130	88	4	16
72347532	75x1¼"	81	26	130	88	4	16
72347540	75x1½"	80	26	130	88	4	16
72347550	75x2"	84	30	130	88	4	16
72349015	90x½"	90	25	150	88	4	16
72349020	90x¾"	90	27	150	88	4	16
72349025	90x1"	90	27	150	88	4	16
72349032	90x1¼"	90	24	150	88	4	16
72349040	90x1½"	90	30	150	88	4	16
72349050	90x2"	90	29	150	88	4	16
72341115	110x½"	100	24	175	107	6	16
72341120	110x¾"	100	27	175	107	6	16
72341125	110x1"	100	25	175	107	6	16
72341132	110x1¼"	100	26	175	107	6	16
72341140	110x1½"	105	30	175	107	6	16
72341150	110x2"	105	30	175	107	6	16

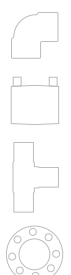
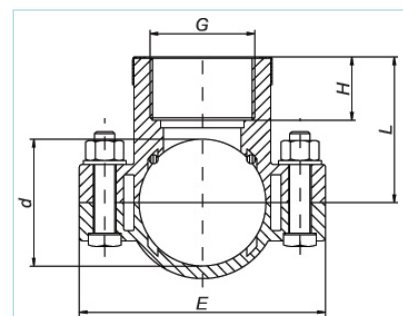
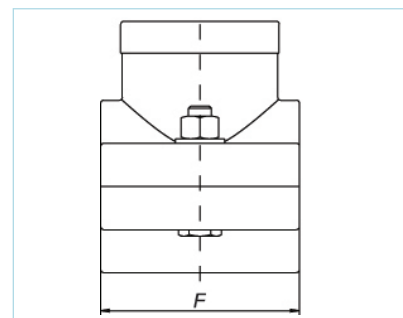
Larger Dimensions and lower pressure ratings available on request.



# CLAMP SADDLE PN10/PN6

CODE	dxG	L	H	E	F	n	PN	CODE	dxG	L	H	E	F	n	PN
72362515	25x½"	38	20	76	49	2	10	72361625	160x1"	110	21	215	175	6	6
72362520	25x¾"	38	21	76	49	2	10	72361632	160x1¼"	113	24	215	175	6	6
72363215	32x½"	41	17	81	56	2	10	72361640	160x1½"	115	26	215	175	6	6
72363220	32x¾"	41	21	81	56	2	10	72361650	160x2"	117	30	215	175	6	6
72363225	32x1"	44	23	81	56	2	10	72361660	160x2½"	125	32	215	175	6	6
72364015	40x½"	41	17	81	60	2	10	72361680	160x3"	134	35	215	175	6	6
72364020	40x¾"	46	18	81	60	2	10	72361610	160x4"	135	40	215	175	6	6
72364025	40x1"	46	23	81	60	2	10	72362020	200x¾"	128	23	262	175	6	6
72365015	50x½"	50	17	98	69	4	10	72362025	200x1"	130	23	262	175	6	6
72365020	50x¾"	50	18	98	69	4	10	72362032	200x1¼"	133	23	262	175	6	6
72365025	50x1"	52	20	98	69	4	10	72362040	200x1½"	133	23	262	175	6	6
72365032	50x1¼"	57	25	98	69	4	10	72362050	200x2"	135	30	262	175	6	6
72366315	63x½"	55	16	105	79	4	10	72362060	200x2½"	150	32	262	175	6	6
72366320	63x¾"	55	18	105	79	4	10	72362080	200x3"	152	35	262	175	6	6
72366325	63x1"	59	20	105	79	4	10	72362010	200x4"	155	42	262	175	6	6
72366332	63x1¼"	63	25	105	79	4	10								
72366340	63x1½"	63	28	105	79	4	10								
72367515	75x½"	62	17	120	90	4	10								
72367520	75x¾"	62	18	120	90	4	10								
72367520	75x1"	65	21	120	90	4	10								
72367532	75x1¼"	68	24	120	90	4	10								
72367540	75x1½"	68	23	120	90	4	10								
72367550	75x2"	72	27	120	90	4	10								
72369015	90x½"	70	17	135	90	4	10								
72369020	90x¾"	70	19	135	90	4	10								
72369025	90x1"	72	21	135	90	4	10								
72369032	90x1¼"	76	24	135	90	4	10								
72369040	90x1½"	76	24	135	90	4	10								
72369050	90x2"	80	27	135	90	4	10								
72361115	110x½"	80	17	168	99	4	10								
72361120	110x¾"	80	19	168	99	4	10								
72361125	110x1"	84	20	168	99	4	10								
72361132	110x1¼"	86	23	168	99	4	10								
72361140	110x1½"	86	23	168	99	4	10								
72361150	110x2"	90	27	190	99	4	10								
72361215	125x½"	108	25	190	106	6	10								
72361220	125x¾"	108	26	190	106	6	10								
72361225	125x1"	109	26	190	106	6	10								
72361232	125x1¼"	109	25	190	106	6	10								
72361240	125x1½"	113	28	215	106	6	10								
72361250	125x2"	113	30	215	106	6	10								
72361250	160x¾"	108	19	215	175	6	6								

NOTE: These fittings are designed for low pressure irrigation and industrial pipelines only.



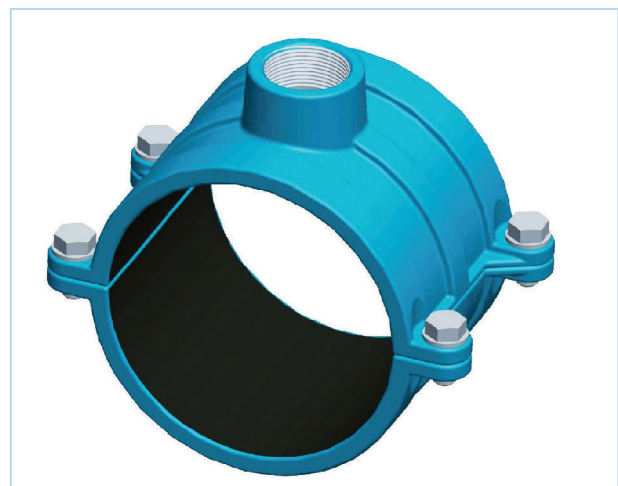
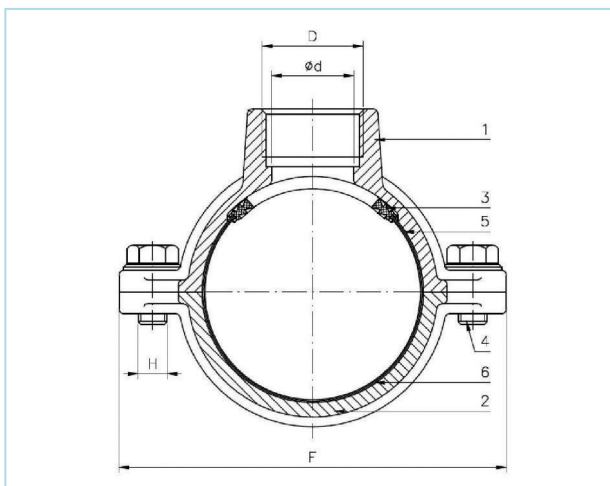
# MECHANICAL TAPPING SADDLE

FEMALE THREADED OFF-TAKE SDR11-21 • WATER PN16

CODE	PIPE (mm)	OFF-TAKE SIZE INCH	OFF TAKE SIZE METRIC
92343220	32	x ¾"	20
92344020	40	x ¾"	20
92344025	40	x 1"	25
92345025	50	x 1"	25
92346325	63	x 1"	25
92346332	63	x 1¼"	32
92346340	63	x 1½"	40
92346350	63	x 2"	50
92347525	75	x 1"	25
92347532	75	x 1¼"	32
92347540	75	x 1½"	40
92347550	75	x 2"	50
92349025	90	x 1"	25
92349040	90	x 1½"	40
92349050	90	x 2"	50
92341125	110	x 1"	25
92341132	110	x 1¼"	32
92341140	110	x 1½"	40

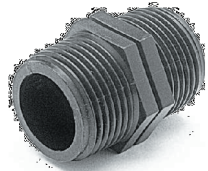
CODE	PIPE (mm)	OFF-TAKE SIZE INCH	OFF TAKE SIZE METRIC
92341150	110	x 2"	50
92341225	125	x 1"	25
92341232	125	x 1¼"	32
92341240	125	x 1½"	40
92341250	125	x 2"	50
92341450	140	x 2"	50
92341625	160	x 1"	25
92341650	160	x 2"	50
92341825	180	x 1"	25
92341832	180	x 1¼"	32
92341840	180	x 1½"	40
92341850	180	x 2"	50
92342050	200	x 1"	25
92342250	200	x 2"	50
92342250	225	x 2"	50
92342550	250	x 1"	50
92342850	280	x 2"	50
92343150	315	x 2"	50

- Acu-Flow DCI tapping bands from Acu-Tech are the ultimate solution for connection of branch pipe-lines to PE main pipelines for cold water.
- Constructed of epoxy coated solid ductile cast iron (DCI) with EPDM rubber seal, these fittings are designed to be durable and leak free.
- Upper and lower parts are fully rubber lined to prevent rotational movement of the tapping band on pipe



# THREADED FITTINGS

## NIPPLE



CODE	DIAMETER	BOX QTY	PN
75840015	½" x ½"	100	10
75840020	¾" x ¾"	100	10
75840025	1" x 1"	50	10
75840032	1¼" x 1¼"	50	10
75840040	1½" x 1½"	20	10
75840050	2" x 2"	10	10
75840065	2½" x 2½"	5	10
75840080	3" x 3"	5	10

## REDUCING NIPPLE



75942015	¾" x ½"	100	10
75942520	1" x ¾"	100	10
75943225	1¼" x 1"	50	10
75944032	1½" x 1¼"	20	10
75945040	2" x 1½"	10	10
75946550	2½" x 2"	5	10
75948065	3 x 2½"	5	10

## THREADED PLUG



75240015	½"	100	10
75240020	¾"	100	10
75240025	1"	50	10
75240032	1¼"	50	10
75240040	1½"	20	10
75240050	2"	10	10
75240065	2½"	5	10
75240080	3"	5	10

## THREADED CAP



75340015	½"	100	10
75340020	¾"	100	10
75340025	1"	50	10
75340032	1¼"	50	10
75340040	1½"	20	10
75340050	2"	10	10





# THREADED FITTINGS

CODE	DIAMETER	BOX QTY	PN
75440015	½" x ½"	100	10
75440020	¾" x ¾"	100	10
75440025	1" x 1"	50	10
75440032	1¼" x 1¼"	50	10
75440040	1½" x 1½"	20	10
75440050	2" x 2"	10	10
75440065	2½" x 2½"	5	10
75440080	3" x 3"	5	10

## SOCKET



75542015	¾" x ½"	100	10
75542520	1" x ¾"	100	10
75543225	1¼" x 1"	50	10
75544032	1½" x 1¼"	20	10
75545040	2" x 1½"	10	10
75546550	2½" x 2"	5	10
75548065	3" x 2½"	5	10

## REDUCING SOCKET



75641510	½" x ⅜"	100	10
75642015	¾" x ½"	100	10
75642515	1" x ½"	50	10
75642520	1" x ¾"	50	10
75643220	1¼" x ¾"	50	10
75643225	1¼" x 1"	50	10
75644032	1½" x 1¼"	20	10
75645040	2" x 1½"	10	10

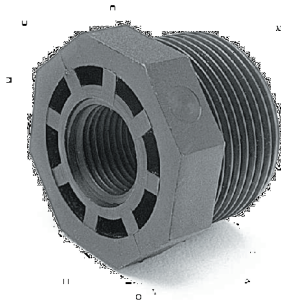
## MALE-FEMALE REDUCER

30



# THREADED FITTINGS

## BUSH



CODE	DIAMETER	BOX QTY	WEIGHT X BOX KG	VOLUME X BOX m <sup>2</sup>	PN
75742015	¾" x ½"	100	0.70	0.004	10
75742515	1" x ½"	50	0.72	0.003	10
75742520	1" x ¾"	50	0.64	0.003	10
75743215	1¼" x ½"	50	1.08	0.006	10
75743220	1¼" x ¾"	50	1.29	0.006	10
75743225	1¼" x 1"	50	1.12	0.006	10
75744020	1½" x ¾"	20	0.72	0.003	10
75744025	1½" x 1"	20	0.62	0.003	10
75744032	1½" x 1¼"	20	0.46	0.003	10
75745020	2" x ¾"	10	0.53	0.002	10
75745032	2" x 1"	10	0.52	0.002	10
75745032	2" x 1¼"	10	0.50	0.002	10
75745040	2" x 1½"	10	0.44	0.002	10
75746550	2½" x 2"	5	0.42	0.003	10
75748050	3" x 2"	5	0.72	0.004	10
75748065	3 x 2½"	5	0.50	0.004	10

## MALE-FEMALE 90 BEND



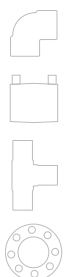
79140015	½" x ½"	100	1.81	0.004	10
79140020	¾" x ¾"	50	1.40	0.004	10
79140025	1" x 1"	50	1.18	0.004	10
79140032	1¼" x 1¼"	10	-	-	10
79140040	1½" x 1½"	10	-	-	10
79140050	2" x 2"	5	-	-	10

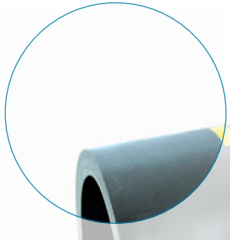
## EQUAL TEE FEMALE



79240015	½" x ½" x ½"	50	1.55	0.004	10
79240020	¾" x ¾" x ¾"	50	2.05	0.006	10
79240025	1" x 1" x 1"	25	1.69	0.004	10
79240032	1¼" x 1¼" x 1¼"	10	1.28	0.004	10
79240040	1½" x 1½" x 1½"	10	1.71	0.004	10
79240050	2" x 2" x 2"	4	0.97	0.004	10

31





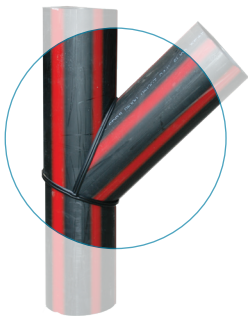
PIPE IN LENGTHS & COILS



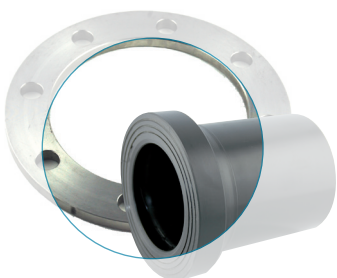
SWEEP & SEGMENTED BENDS



EQUAL & REDUCING TEES

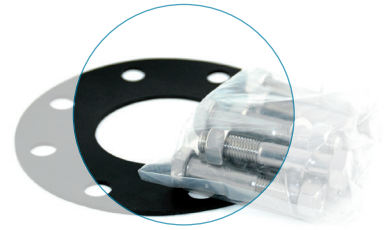


JUNCTIONS

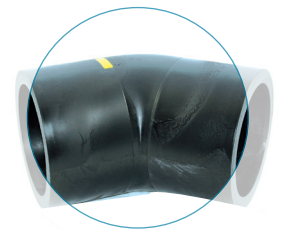


FLANGES/BACKING RINGS

BOLT SETS & GASKETS



SPIGOT FITTINGS



ELECTROFUSION



VALVES & TAPPING SADDLES



FUSION WELDING EQUIPMENT





## CALL US NOW

Western Australia

t • (08) 9238 8000  
f • (08) 9238 8088  
e • sales@acu-tech.com.au

Victoria

t • (03) 9338 0300  
f • (03) 9338 0600  
e • salesvic@acu-tech.com.au

## OUR CAPABILITIES AT A GLANCE

.....  
.....  
.....

- Manufacturers of HD-PE100 pipes  $\varnothing$  20mm to 800mm in lengths and coils. Option of striping or full coating for system specific colour coding.
- Fabrication of bend and tee fittings  $\varnothing$  32mm to 800mm.
- Fabrication of  $\varnothing$  20mm to 800mm pipe spools, tanks and components to client specifications.
- Fusion Welding Training and weld/material testing.

[www.acu-tech.com.au](http://www.acu-tech.com.au)