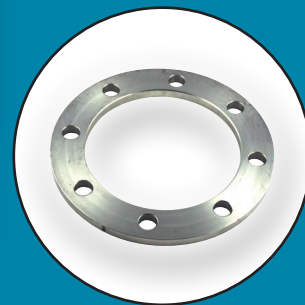
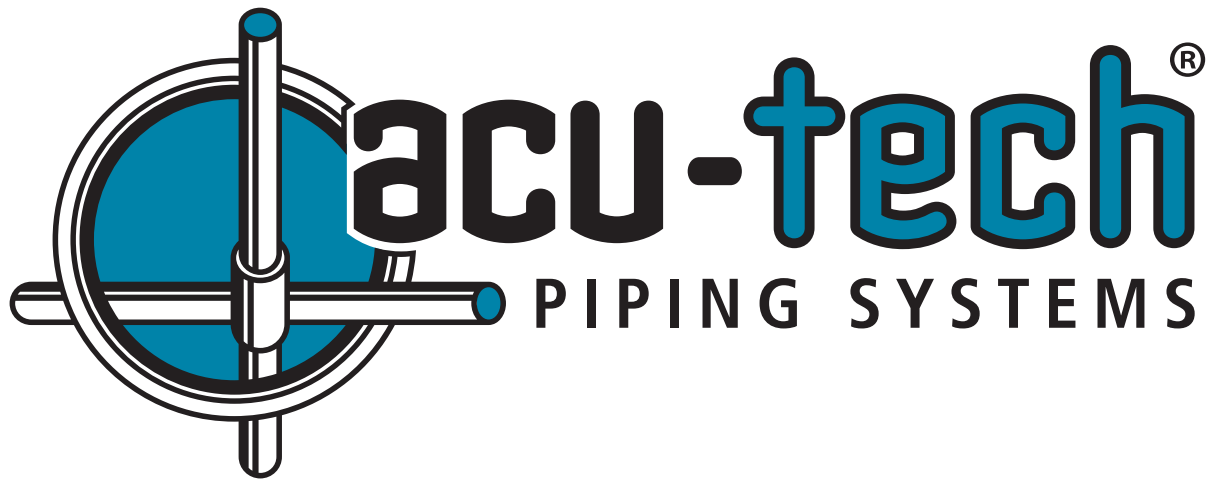




PE PRESSURE FITTINGS



PRODUCT CATALOGUE



Put your trust in quality and expertise



CERTIFICATE OF REGISTRATION

This is to certify that:

Acu-Tech Piping Systems

ABN 52 394 633 042

119 Kelvin Road Maddington WA 6109 AUSTRALIA

operates a

QUALITY MANAGEMENT SYSTEM

which complies with the requirements of
ISO/TS 29001:2010

for the following scope

The sale and supply of polypipes and piping system components.

Certificate No: OAG20010

Issued: 15 November 2012
Expires: 16 February 2015

Originally Certified: 17 February 2012
Current Certification: 9 November 2012

Samer Chaouk
Head of Policy, Risk and Certification

Paul Butcher
Global Head – Assurance Services



Registered by:
SAI Global Certification Services Pty Ltd (ACN 108 716 669) 286 Sussex Street Sydney NSW 2000 Australia with SAI Global Limited
286 Sussex Street Sydney NSW 2000 Australia ("SAI Global") and subject to the SAI Global Terms and Conditions for Certification.
While all due care and skill was exercised in carrying out this assessment, SAI Global accepts responsibility only for proven
negligence. This certificate remains the property of SAI Global and must be returned to SAI Global upon its request. To verify that this
certificate is current please refer to SAI Global On-Line Certification register at <http://www.saiglobal.com>



CERTIFICATE OF REGISTRATION

This is to certify that:

Acu-Tech Piping Systems

ABN 52 394 633 042

119 Kelvin Road MADDINGTON WA 6109 AUSTRALIA

operates a

QUALITY MANAGEMENT SYSTEM

which complies with the requirements of
ISO 9001:2008

for the following scope

The registration covers the Quality Management System for the sale and supply of
polypipes and piping system components.

Certificate No: QEC29280

Issued: 23 February 2012
Expires: 16 February 2015

Originally Certified: 17 February 2012
Current Certification: 17 February 2012

William Smith
Certification Manager

Duncan Lilley
Global Head – Assurance Services



Registered by:
SAI Global Certification Services Pty Ltd (ACN 108 716 669) 286 Sussex Street Sydney NSW 2000 Australia with SAI Global Limited
286 Sussex Street Sydney NSW 2000 Australia ("SAI Global") and subject to the SAI Global Terms and Conditions for Certification.
While all due care and skill was exercised in carrying out this assessment, SAI Global accepts responsibility only for proven
negligence. This certificate remains the property of SAI Global and must be returned to SAI Global upon its request. To verify that this
certificate is current please refer to SAI Global On-Line Certification register at <http://www.saiglobal.com>



Our Mission

- To provide the pipeline industry with systems of the highest quality, integrity and innovation, and in doing so, to ensure that Acu-Tech “adds value” to our customers’ business.
- To provide outstanding service, training and technical support to our customers, and in that way be considered as an integral part of their enterprises.
- To encourage forward thinking and innovation.
- To continuously look for ways to improve our performance.
- To maintain a comprehensive stock inventory
- To ensure that every project runs smoothly. To put our values at the centre of everything we do, now and in the future.



Our Values

- We base the relationships we have on Trust & Integrity.
- We believe our people are our most Precious asset.
- We believe good Communication is essential to a successful business, with our team, our suppliers and most of all, with our customers.
- We focus on providing Quality in all aspects of our business.
- We believe in adopting a Caring approach to people and to our environment.
- We take Pride in everything we do, and the way we do it.
- We will always emphasise Safety.

Company Introduction

Acu-Tech Piping Systems is a privately owned and operated Western Australian company.

We are a member of a national group of companies, specialising in providing pipeline solutions through our Advanced Pipe System Technology for both fluid and gas transfer applications.

Our group combines many years of experience in the industry with unmatched buying power, enabling us to offer exceptional value to our customers.



Customer Focus

The key to Acu-Tech’s success lies in our commitment to provide the highest quality service and support.

We place the utmost importance in providing solutions to engineers and contractors, from technical assistance during design stage, through to continually evolving our extensive product portfolio to meet the demands of the market.

Acu-Tech also place particular emphasis on comprehensive training in the use of our products, to ensure that every installation is trouble free.

Our Vision

To be recognised by engineers and contractors as
the industry leader in **pipeline solutions**



Products

Acu-Tech offers a complete range of piping systems for pressure and drainage applications, manufactured primarily from polyethylene (PE). The advantages of PE piping systems have been appreciated in the gas and water industries and by general industrial users for over 30 years.

PE's toughness, immunity from corrosion, excellent resistance to chemicals and light weight has contributed to its continued appeal for use in situations where cost-effective and reliable systems are required.

PE systems from Acu-Tech offer the following advantages:

- High quality approved products, designed and manufactured to exacting International and Australian standards.
- Four jointing methods, offering flexibility of choice - Electrofusion, Butt-fusion, Socket-fusion and Mechanical Fittings.
- Fusion welded methods create a completely homogenous joint which is as strong as the pipe. This eliminates rubber seals which can fail over time, also solving root intrusion problems, and provides pipeline integrity where installed in unstable ground.
- No anchor or thrust blocks needed (systems are fully end load resistant)
- Systems available for every application, allowing common trenching.
- Based on minimum 50 year design life, Acu-Tech PE100 pressure systems incorporate a safety factor of 1:1.25 for water, and 1:2 for gas.
- Pressure rating of up to 1600kPa continuous at 20°C when carrying water and certain other liquids.
- Pressure rating of up to 1000kPa at 20°C when carrying compressed gases.
- Excellent resistance to chemicals
- Simple to install, maintain and repair.
- Immunity from corrosion.
- Tough, durable and lightweight.
- Low thermal conductivity.
- High flow capacity due to smooth bore and end-to-end jointing.
- Comprehensive product and installation training available.
- Sales, hire, repair and calibration of associated welding equipment.



Market Orientated

Acu-Tech's polyethylene products find a broad range of applications in the Industrial, Mining, Plumbing and Utilities markets. The utilities of water and gas distribution are important sectors for high integrity products where the maintenance of water quality and the safe transport of gaseous fuels are of paramount importance. Industrial and Mining applications include mineral slurries, alternative energy installations in landfill gas systems, to effluent transportation. Products are widely used in pipeline installation, repair and maintenance. Acu-Tech also supplies a number of other systems, including:

- HDPE Drainage Pipe System for greasy or chemical wastes and Siphonic roof drainage.
- Polypropylene (PPR) Pipe System for above ground hot & cold water systems.

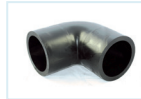
PAGE INDEX

1. POLYETHYLENE PIPE		14. PE MALE BSP SPIGOT ADAPTOR	
2. ELECTROFUSION COUPLER		15. PE FEMALE BSP SPIGOT ADAPTOR	
3. ELECTROFUSION REDUCER		16. SPIGOT STUB FLANGE	
4. ELECTROFUSION 90° ELBOW		17. BACKING RING TABLE D	
5. ELECTROFUSION 45° ELBOW		18. BACKING RING TABLE E	
6. ELECTROFUSION EQUAL TEE		19. BACKING RING TABLE ANSI 150	
7. ELECTROFUSION REDUCING TEE		20. BLIND FLANGE	
8. ELECTROFUSION TAPPING SADDLE		21. BOLT SET - PE TO TABLE D STEEL FLANGE CONNECTION	
9. ELECTROFUSION BRANCH SADDLE		22. BOLT SET - PE TO TABLE E STEEL FLANGE CONNECTION	
10. ELECTROFUSION END CAP		23. BOLT SET - PE TO ANSI 150 STEEL FLANGE CONNECTION	
11. EF TEST END CAP WITH BRASS MALE BSP THREAD		24. TOOLS AND EQUIPMENT OVERVIEW	
12. BRASS MALE TRANSITION INSERT		25. TOOLS AND EQUIPMENT OVERVIEW	
13. BRASS FEMALE TRANSITION INSERT		26. RELATED PIPELINE PRODUCTS OVERVIEW	

27. RELATED PIPELINE PRODUCTS OVERVIEW



28. 90° SPIGOT ELBOW



29. 45° SPIGOT ELBOW



30. SPIGOT REDUCER



31. SPIGOT END CAP



32. SPIGOT EQUAL TEE



33. SPIGOT REDUCING TEE



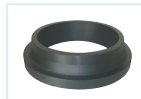
34. BUTT WELD REDUCER



35. BUTT WELD REDUCER



36. BUTT WELD STUB FLANGE



37. SHORT RADIUS 90° BEND



38. 90° SWEEP BEND



39. 45° SWEEP BEND



40. 90° SEGMENTED BEND



41. 45° SEGMENTED BEND



42. FABRICATED TRUE Y JUNCTION



43. FABRICATED 45° JUNCTION



44. FABRICATED TEE



45. MECHANICAL TAPPING BAND



46. FABRICATION SERVICES



47. ELECTROFUSION PROCEDURE GUIDELINES



ACU-TECH TRAINING COURSES

As with all welding carried out on any material used for engineering purposes, fusion welding of polyethylene and polypropylene is a skilled operation which must be carried out by trained and accredited tradespersons. The use of untrained operators is a serious risk as it may lead to weld failures.

As part of our commitment to provide the industry with complete pipeline solutions of the highest quality and integrity, we have teamed up with Polyweld Tech Academy to offer Nationally Recognized Training courses in *Electrofusion*, *Butt Fusion* and *Extrusion welding* held either on site anywhere in Australia, or in our own purpose built training centre.

For more information and enrollments, please email training@acu-tech.com.au, or give your Account Manager a call on (08) 9238 8000 today.

NOTES

Notes on the use of this catalogue:

The "Family" code shown at the top of every page refers to the fitting TYPE.
Eg: 2014 is the code for an electrofusion coupler. The next four numbers refer to the SIZE; e.g., 0110 is the code for a 110mm fitting, 1163 for a 110mm x 63mm reducer; therefore the code for a 110mm electrofusion coupler is 2014.0110 and a 110mm x 63mm reducer would be 2034.1163.

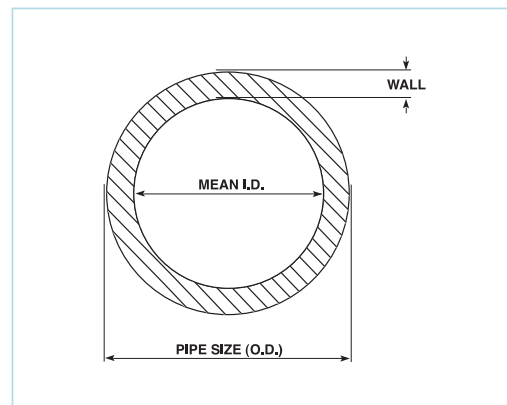
As always with Acu-Tech technical information, we supply it as a guide in the interest of better understanding of technical properties of our products It represents the best information available to us at the time of publication. However, the application of such information may involve engineering judgements which cannot be correctly made without intimate knowledge of all the conditions pertaining to a specific installation. Acu-Tech does not act as a consultant in this regard; the responsibility for the use of any information or advice contained herein rests solely with the user. No warranty, expressed or implied, (other than Statutory Warranty) is given as to the information or results obtained by the use thereof, and Acu-Tech will not be held liable for any costs, direct or indirect, that may arise therefrom. All pressure ratings given are subject to applicable regulations and standards. For further information please contact our Technical team or check with your local regulatory authority.

Company policy is one of continual improvement, therefore changes in product dimensions, specifications and performance data may be made without prior notice and with out incurring liability. All dimensions shown in this catalogue are intended as a guide only. If exact measurements are required, please contact our sales team.

Please contact our sales team if there is any items required which are not shown in this catalogue. We are also able to source & supply a wide range of associated products such as valves and non-standard flanges.

PE100 POLYETHYLENE PIPE - STANDARD DIMENSIONS SPECIFICATIONS ACCORDING TO AS/NZS 4130

PE100 SIZE	SDR26 PN 6.3		SDR21 PN 8		SDR17 PN 10		SDR13.6 PN 12.5		SDR11 PN 16		SDR9 PN 20		SDR7.4 PN 25		PE100 SIZE
	MIN WALL	MEAN I.D.	MIN WALL	MEAN I.D.	MIN WALL	MEAN I.D.	MIN WALL	MEAN I.D.	MIN WALL	MEAN I.D.	MIN WALL	MEAN I.D.	MIN WALL	MEAN I.D.	
20	1.6	16.7	1.6	16.7	1.6	16.7	1.6	16.7	1.9	16.1	2.3	15.2	2.8	14.2	20
25	1.6	21.7	1.6	21.7	1.6	21.1	1.9	21.1	2.3	20.2	2.8	19.2	3.5	17.7	25
32	1.6	28.7	1.6	28.7	1.9	28.1	2.4	27.0	2.9	26.0	3.6	24.5	4.4	22.8	32
40	1.6	36.7	1.9	36.1	2.4	35.0	3.0	33.8	3.7	32.3	4.5	30.6	5.5	28.5	40
50	2.0	45.9	2.4	45.0	3.0	43.8	3.7	42.3	4.6	40.4	5.6	38.3	6.9	35.6	50
63	2.4	58.0	3.0	56.8	3.8	55.1	4.7	53.2	5.8	50.9	7.1	48.1	8.6	45.1	63
75	2.9	69.1	3.6	67.6	4.5	65.7	5.5	63.6	6.8	60.9	8.4	57.5	10.3	53.6	75
90	3.5	82.8	4.3	81.1	5.4	78.8	6.6	76.3	8.2	72.9	10.1	68.6	12.3	64.5	90
110	4.3	101.2	5.3	99.1	6.6	96.4	8.1	93.2	10.0	89.3	12.3	84.4	15.1	78.6	110
125	4.8	115.3	6.0	112.8	7.4	109.8	9.2	106.0	11.4	101.4	14.0	96.0	17.1	89.5	125
140	5.4	129.1	6.7	126.4	8.3	123.0	10.3	118.8	12.7	113.8	15.7	107.5	19.2	100.2	140
160	6.2	147.5	7.7	144.4	9.5	140.6	11.8	135.8	14.6	129.9	17.9	123.0	21.9	114.7	160
180	6.9	166.2	8.6	162.6	10.7	158.2	13.3	152.7	16.4	146.2	20.1	138.4	24.6	129.1	180
200	7.7	184.5	9.6	180.5	11.9	175.7	14.7	169.8	18.2	162.4	22.4	153.6	27.3	143.4	200
225	8.6	207.7	10.8	203.1	13.4	197.6	16.6	190.9	20.5	182.7	25.1	173.0	30.8	161.3	225
250	9.6	230.7	11.9	225.9	14.8	219.8	18.4	212.2	22.7	203.2	27.9	192.3	34.2	179.2	250
280	10.7	258.6	13.4	252.9	16.6	246.2	20.6	237.8	25.4	227.7	31.3	215.3	38.3	200.7	280
315	12.1	290.7	15.0	284.7	18.7	276.9	23.2	267.4	28.6	256.1	35.2	242.2	43.0	226.1	315
355	13.6	327.8	16.9	320.9	21.1	312.0	26.1	301.5	32.2	288.7	39.6	273.2	48.5	254.6	355
400	15.3	369.3	19.1	361.3	23.7	351.7	29.4	339.7	36.3	325.2	44.7	307.6	54.6	287.0	400
450	17.2	415.5	21.5	406.5	26.7	395.6	33.1	382.1	40.9	365.8	50.3	346.0	61.5	332.8	450
500	19.1	461.7	23.9	451.7	29.6	439.7	36.8	424.6	45.4	406.5	55.8	384.7	500
560	21.4	517.2	26.7	506.1	33.2	492.4	41.2	475.6	50.8	455.5	560
630	24.1	581.8	30.0	569.5	37.2	554.1	46.3	535.2	57.2	512.3	630
710	27.2	655.6	33.9	641.6	42.1	624.3	52.2	603.1	710
800	30.6	738.8	38.1	723.0	47.4	703.2	58.8	680.0	800
900	34.4	829.5	42.9	813.8	53.5	791.6	900
1000	38.2	923.0	47.7	904.2	59.3	879.8	1000



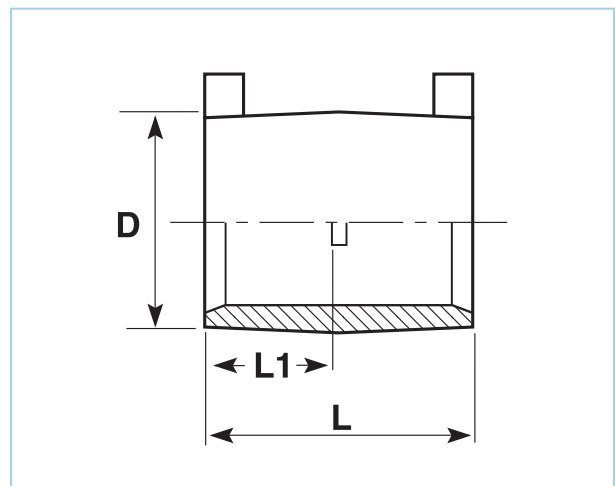
ELECTROFUSION COUPLER (2014/2016)

PE100 • SDR11-SDR17 • PN16 WATER • 1000KPA GAS

SIZE (mm)	CODE SDR11 (2014)	CODE SDR17 (2016)	L (mm)	L1 (mm)	D (mm)	BOX (QTY)
20	2014.0020	-	77	38	29	20
25	2014.0025	-	77	38	34	20
32	2014.0032	-	77	38	43	20/75
40	2014.0040	-	90	44	52	50
50	2014.0050	-	91	44	62	40
63	2014.0063	-	102	49	77	20
75	2014.0075	-	125	61	100	25
90	2014.0090	-	122	60	110	25
110	2014.0110	-	144	70	133	20
125	2014.0125	-	154	75	151	10
140	2014.0140	-	181	89	176	6
160	2014.0160	-	175	86	195	4
180	2014.0180	-	185	91	220	4
200	2014.0200	-	186	92	243	2
225	2014.0225	-	222	109	276	2
250	2014.0250	-	220	108	301	2
280	2014.0280	-	260	127	345	1
315	2014.0315	-	261	128	386	1
355	2014.0355	2016.0355	260	126	437	1
400	2014.0400	2016.0400	340	165	494	1
450	2014.0450	2016.0450	380	185	556	1
500	2014.0500	2016.0500	400	195	618	1
560	2014.0560	2016.0560	450	220	691	1
630	2014.0630	2016.0630	500	245	778	1
710	-	2016.0710	500	245	812	1
800	-	2016.0800	500	245	915	1

NOTE : SDR17 couplers are rated to Water PN10 – Gas PN6.

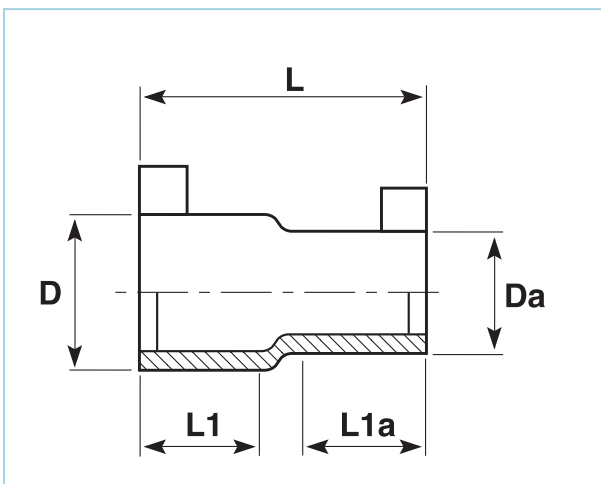
2



ELECTROFUSION REDUCER (2034)

PE100 • SDR11-SDR17 • PN16 WATER • 1000KPA GAS

SIZE (mm)	PRODUCT CODE	L (mm)	L1 (mm)	D (mm)	L1A (mm)	DA (mm)	BOX QTY
20 x 20	2034.2520	77	39	34	37	29	25
32 x 20	2034.3220	77	39	43	37	29	20
32 x 25	2034.3225	77	39	43	37	34	20
40 x 32	2034.4032	84	41	52	41	43	50
50 x 32	2034.5032	84	40	67	40	67	40
50 x 40	2034.5040	85	40	67	40	67	40
63 x 32	2034.6332	97	47	82	40	55	30
63 x 40	2034.6340	98	47	83	44	83	30
63 x 50	2034.6350	98	48	84	44	84	30
75 x 63	2034.7563	119	48	95	39	77	20
90 x 63	2034.9063	154	79	117	61	83	20
90 x 75	2034.9075	156	79	117	61	100	20
110 x 63	2034.1163	160	80	130	58	80	20
110 x 90	2034.1190	137	70	134	62	109	10
125 x 63	2034.1263	191	78	155	39	77	10
125 x 90	2034.1290	181	89	156	79	116	10
125 x 110	2034.1211	201	95	156	74	136	10
160 x 90	2034.1690	254	101	195	67	113	8
160 x 110	2034.1611	254	101	195	72	136	8
160 x 125	2034.1612	254	101	195	83	156	8
180 x 125	2034.1812	254	101	216	83	157	4

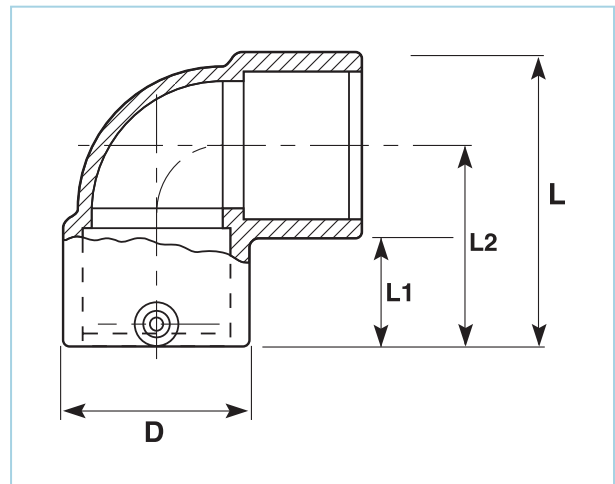


ELECTROFUSION 90° ELBOW (2054)

PE100 • SDR11-SDR17 • PN16 WATER • 1000KPA GAS

SIZE (mm)	PRODUCT CODE	L (mm)	L1 (mm)	L2 (mm)	D (mm)	BOX QTY
20	2054.0020	82	44	64	36	25
25	2054.0025	82	44	64	36	25
32	2054.0032	84	40	62	44	25
40	2054.0040	116	50	83	67	40
50	2054.0050	116	50	83	67	40
63	2054.0063	139	59	98	82	10
75	2054.0075	150	53	102	97	33
90	2054.0090	194	77	131	116	10
110	2054.0110	205	71	135	137	5
125	2054.0125	228	72	152	154	5
160	2054.0160	320	104	211	213	1
180	2054.0180	320	104	211	213	1

4

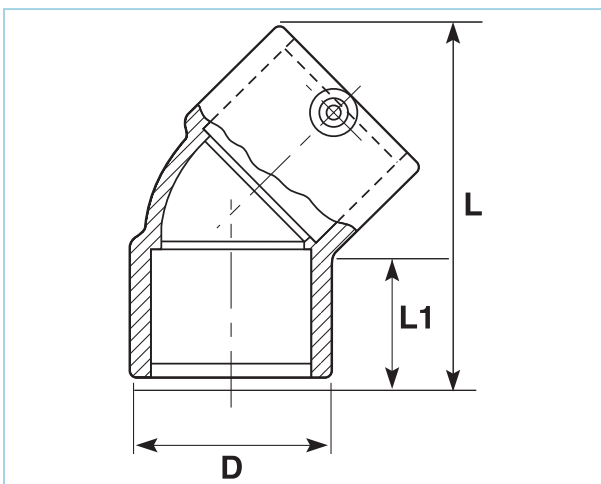


ELECTROFUSION 45° ELBOW (2104)

PE100 • SDR11-SDR17 • PN16 WATER • 1000KPA GAS

SIZE (mm)	PRODUCT CODE	L (mm)	L1 (mm)	D (mm)	BOX QTY
32	2104.0032	95	39	44	60
40	2104.0040	108	44	56	40
50	2104.0050	124	49	68	24
63	2104.0063	145	54	82	25
75	2104.0075	165	62	97	40
90	2104.0090	192	82	117	10
110	2104.0110	213	75	137	5
125	2104.0125	240	81	145	5
160	2104.0160	320	105	214	2
180	2104.0180	320	105	214	2

Note: 22.5° elbow (2124) available in some sizes



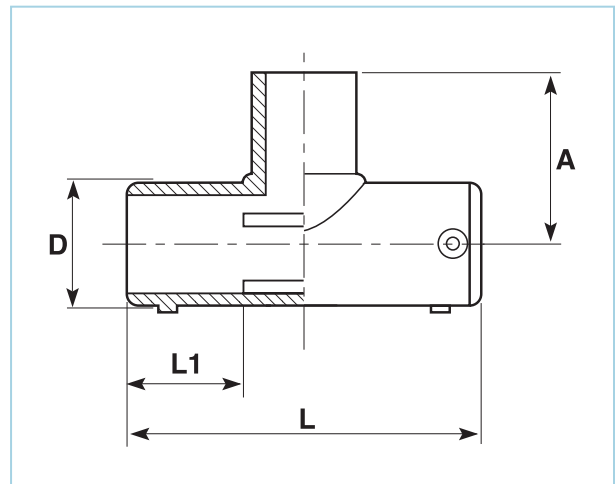
ELECTROFUSION EQUAL TEE (2154)

PE100 • SDR11-SDR17 • PN16 WATER • 1000KPA GAS

SIZE (mm)	PRODUCT CODE	L (mm)	L1 (mm)	D (mm)	A (mm)	BOX QTY
20	2154.0020	98	35	44	78	50
25	2154.0025	98	35	44	78	40
32	2154.0032	98	35	44	78	50
40	2154.0040	144	49	67	102	25
50	2154.0050	144	49	67	101	25
63	2154.0063	174	61	82	114	20
75	2154.0075	174	60	97	126	10
90	2154.0090	210	65	118	143	5
110	2154.0110	265	88	154	173	4
125	2154.0125	266	79	156	174	4
160	2154.0160	367	112	213	227	1
180	2154.0180	372	105	218	231	1

Note: Centre of tee is a spigot fitting. A coupler is required.

6

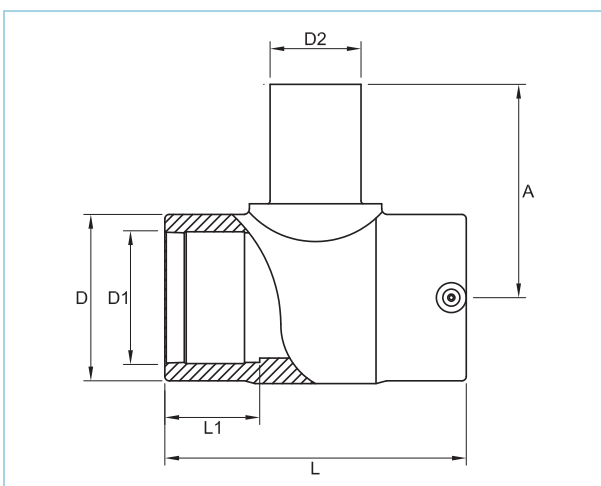


ELECTROFUSION REDUCING TEE (2164)

PE100 • SDR11-SDR17 • PN16 WATER • 1000KPA GAS

SIZE (mm)	PRODUCT CODE	L (mm)	L1 (mm)	D1 (mm)	D2 (mm)	A (mm)	BOX QTY
50 x 40	2164.5040	144	49	67	40	101	25
63 x 40	2164.6340	154	34	81	40	108	24
63 x 50	2164.6350	157	51	83	50	118	18
90 x 63	2164.9063	206	63	115.5	63	138	8
110 x 63	2164.1163	239	73	139	63	163	8
110 x 90	2164.1190	239	73	139	90	158	6
125 x 63	2164.1264	266	79	157	63	500	1
125 x 90	2164.1290	262	76	156	90	197	4
125 x 110	2164.1211	262	76	156	110	359	1
160 x 63	2164.1663	367	112	210	63	385	2
160 x 90	2164.1690	365	112	210	90	385	2
160 x 110	2164.1611	365	112	210	110	203	2
160 x 125	2164.1612	367	112	213	125	410	2
180 x 125	2164.1812	372	105	213	125	219	2

Note: Centre of tee is a spigot fitting. A coupler is required.



ELECTROFUSION TAPPING SADDLE (2214)

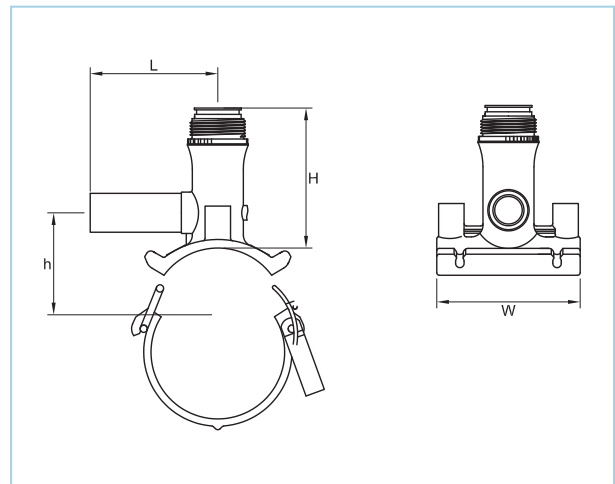
PE100 • SDR11-SDR17 • PN16 WATER • 1000KPA GAS

SIZE (mm)	PRODUCT CODE	L (mm)	H (mm)	H1 (mm)	W (mm)	BOX QTY
40 x 20	2214.4020	105	110	27	120	15
40 x 32	2214.4032	105	110	27	120	15
50 x 32	2214.5032	105	110	27	120	15
63 x 20	2214.6320	105	104	73	120	10
63 x 32	2214.6332	105	119	62	120	10
63 x 63	2214.6363	165	155	60	146	10
90 x 32	2214.9032	105	110	77	120	15
90 x 63	2214.9063	165	152	57	146	10
110 x 20	2214.1120	105	117	87	120	10
110 x 32	2214.1132	105	117	87	120	10
110 x 63	2214.1163	165	176	105	146	10
125 x 32	2214.1232	105	117	95	120	10
125 x 63	2214.1263	165	112	112	146	10
160 x 20	2214.1620					10
160 x 32	2214.1632	105	122	112	120	10
160 x 63	2214.1663	165	137	182	146	10
180 x 32	2214.1832	105	122	122	120	10
180 x 63	2214.1863	165	147	183	146	10
200 x 32	2214.2032	105	122	132	120	10
200 x 63	2214.2063	105	157	183	146	10
225 x 20	2214.2220					10
225 x 63	2214.2263	165	169	183	146	
250 x 63	2214.2563	165	183	182	146	

Note 1: Larger sizes & live tapping saddles available on request.

Note 2: Extensive range of main and branch options available. Please contact us if the tapping saddle you require is not listed above.

Note 3: "No-blow" tube attachment supplied as standard for tapping into live mains

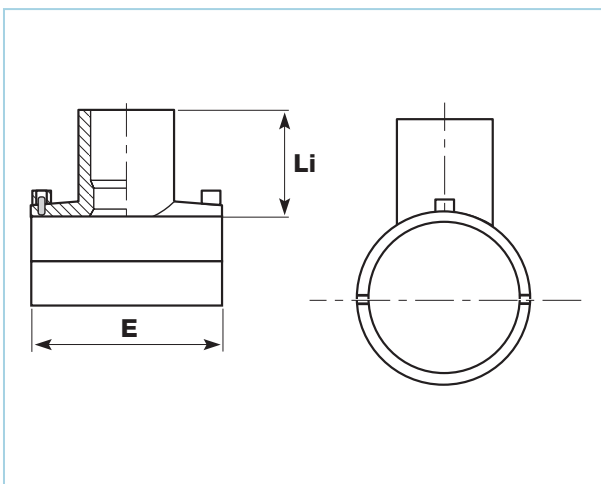


ELECTROFUSION BRANCH SADDLE (2224)

SDR11-SDR17 • PN16 WATER • PN10 GAS

SIZE (mm)	PRODUCT CODE	L1 (mm)	E (mm)	BOX QTY
63 x 32	2224.6332	106	105	10
63 x 40	2224.6340	106	105	10
63 x 50	2224.6350	106	105	10
63 x 63	2224.6363	106	105	10
90 x 63	2224.9063	124	144	10
110 x 63	2224.1163	70	165	5
110 x 90	2224.1190	121	165	5
125 x 63	2224.1263	102	118	5
125 x 90	2224.1290	84	180	5
160 x 63	2224.1663	114	118	2
160 x 90	2224.1690	110	215	2
160 x 110	2224.1611	121	217	2
180 x 90	2224.1890	100	215	2
180 x 110	2224.1811	121	217	2
180 x 125	2224.1812	121	217	2
200 x 63	2224.2063	104	118	2
200 x 90	2224.2090	115	165	2
225 x 63	2224.2263	104	118	2
225 x 90	2224.2290	113	165	2
225 x 125	2224.2212	123	310	2
250 x 63	2224.2563	104	118	2
250 x 90	2224.2590	120	165	2
250 x 125	2224.2512	110	310	2
280 x 63	2224.2863	104	118	2
315 x 63	2224.3163	104	118	2
355 x 63	2224.3563	104	118	2

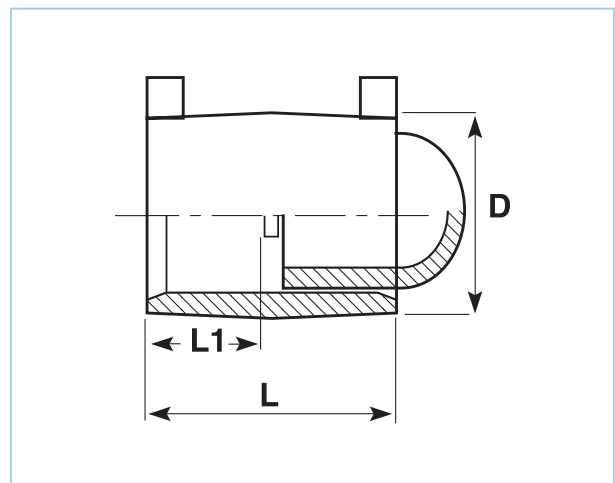
Larger sizes and live tapping systems available on request



ELECTROFUSION END CAP (2274)

PE100 • SDR11-SDR17 • PN16 WATER • 1000KPA GAS

SIZE (mm)	PRODUCT CODE	L (mm)	L1 (mm)	D (mm)	BOX QTY
20	2274.0020	82	38	29	75
25	2274.0025	82	38	34	75
32	2274.0032	84	38	46	75
40	2274.0040	97	44	52	50
50	2274.0050	101	44	62	40
63	2274.0063	115	49	77	20
75	2274.0075	125	61	100	25
90	2274.0090	138	60	110	25
110	2274.0110	164	70	133	18
125	2274.0125	175	75	151	10
140	2274.0140	202	89	176	6
160	2274.0160	214	85	196	4
180	2274.0180	215	91	220	4
200	2274.0200	220	108	243	2
225	2274.0225	222	109	276	2
250	2274.0250	236	108	301	2
280	2274.0280	390	127	345	1
315	2274.0315	395	128	386	1

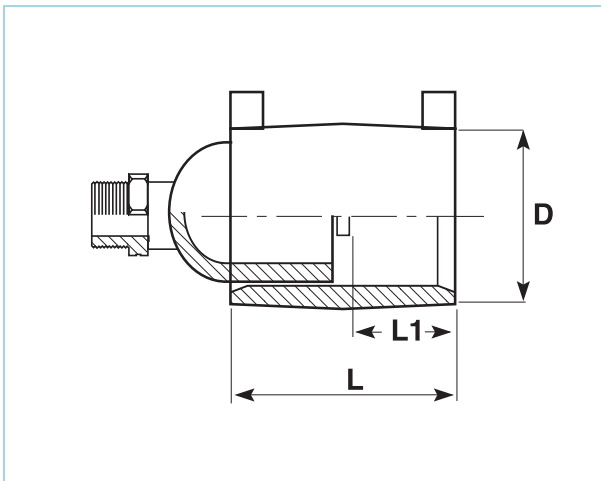


EF TEST END CAP WITH BRASS MALE BSP THREAD (2284)

PE100 • SDR11–SDR17 • PN16 WATER • 1000KPA GAS

SIZE (mm)	PRODUCT CODE 3/4" (20mm) BSP	PRODUCT CODE 1" (25mm) BSP	L (mm)	L1 (mm)	D (mm)	BOX QTY
90	2284.9020	2284.9025	193	60	110	25
110	2284.1120	2284.1125	220	70	133	18
125	2284.1220	2284.1225	230	75	151	10
140	2284.1420	2284.1425	257	89	176	6
160	2284.1620	2284.1625	269	85	196	4
180	2284.1820	2284.1825	270	91	220	4
200	2284.2020	2284.2025	275	108	243	2
225	2284.2220	2284.2225	277	109	276	2
250	2284.2520	2284.2525	291	108	301	2
280	2284.2820	2284.2825	445	127	345	1
315	2284.3120	2284.3125	452	128	386	1

Note: Other sizes and female threads available on request.

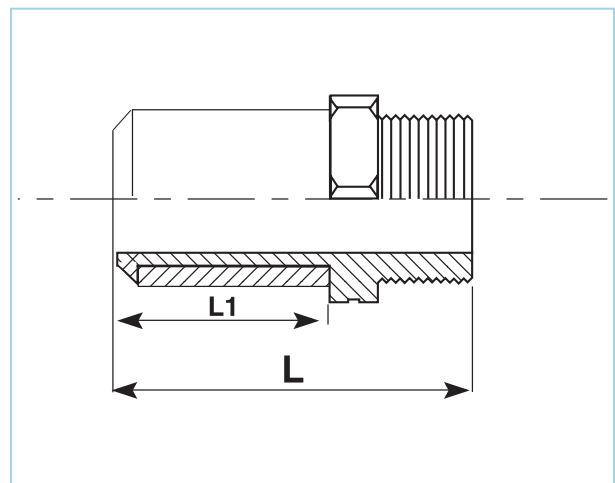


BRASS MALE TRANSITION INSERT (2334)

PE100 • SDR11–SDR17 • PN16 WATER • 1000KPA GAS

SIZE (mm)	BSP THREAD SIZE INCH	BSP THREAD SIZE (mm)	PRODUCT CODE	L (mm)	L1 (mm)	BOX QTY
25	x ¾"	20	2334.2520	95	38	100
32	x 1"	25	2334.3225	108	38	50
40	x 1¼"	32	2334.4032	122	44	27
50	x 1½"	40	2334.5040	125	44	27
63	x 2"	50	2334.6350	143	49	10
75	x 2½"	65	2334.7565	159	61	8
90	x 3"	75	2334.9080	178	60	5
110	x 4"	100	2334.1110	203	70	3

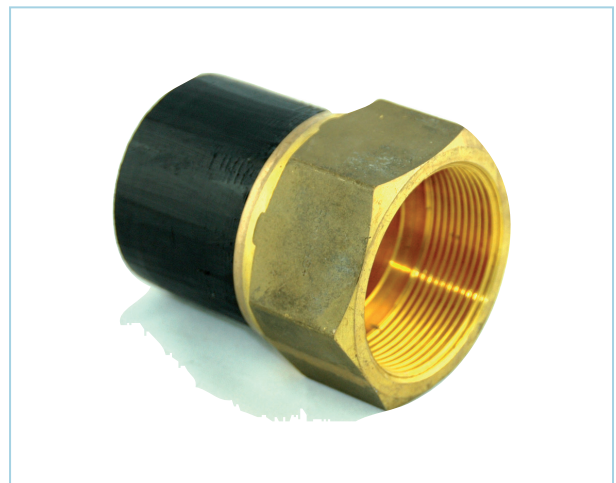
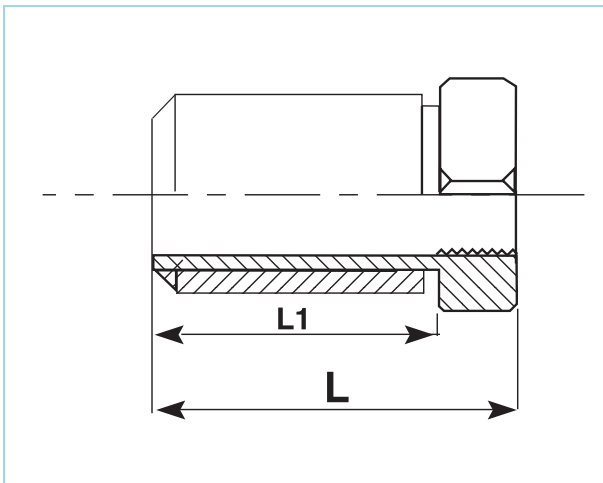
12



BRASS FEMALE TRANSITION INSERT (2344)

PE100 • SDR11-SDR17 • PN16 WATER • 1000KPA GAS

SIZE (mm)	BSP THREAD SIZE INCH	BSP THREAD SIZE (mm)	PRODUCT CODE	L (mm)	L1 (mm)	BOX QTY
25	x ¾"	20	2344.2520	80	38	100
32	x 1"	25	2344.3225	90	38	50
40	x 1¼"	32	2344.4032	100	44	36
50	x 1½"	40	2344.5040	103	44	27
63	x 2"	50	2344.6350	121	49	10
75	x 2½"	65	2344.7565	136	61	8
90	x 3"	80	2344.9080	149	60	5
110	x 4"	100	2344.1110	166	70	3

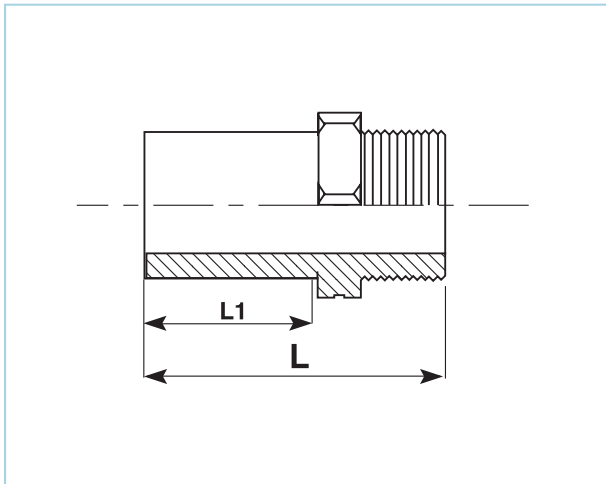


PE MALE BSP SPIGOT ADAPTOR (2354)

PE100 • SDR11–SDR17

SIZE (mm)	BSP THREAD SIZE INCH	BSP THREAD SIZE (mm)	PRODUCT CODE	L (mm)	L1 (mm)	BOX QTY
20	x ½"	15	2354.2015	95	38	10
25	x ¾"	20	2354.2520	95	38	100
32	x 1"	25	2354.3225	108	38	50
40	x 1¼"	32	2354.4032	122	44	27
40	x 1½"	40	2354.4040	122	44	27
50	x 1½"	40	2354.5040	125	44	27
63	x 2"	50	2354.6350	143	49	10
75	x 2½"	65	2354.7565	159	61	8
90	x 3"	80	2354.9080	178	60	5
110	x 4"	100	2354.1110	203	70	3

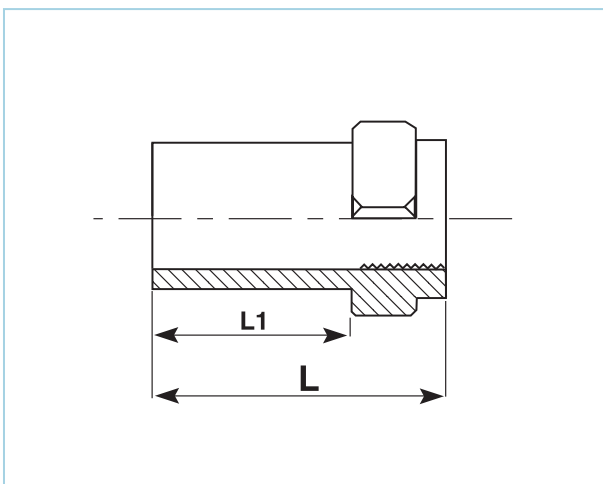
14



PE FEMALE BSP SPIGOT ADAPTOR (2364)

PE100 • SDR11–SDR17

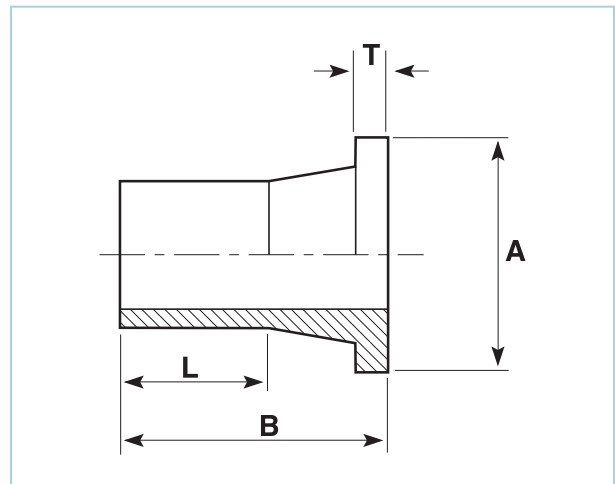
SIZE (mm)	BSP THREAD SIZE INCH	BSP THREAD SIZE (mm)	PRODUCT CODE	L (mm)	L1 (mm)	BOX QTY
20	x ½"	15	2364.2015	80	38	100
25	x ¾"	20	2364.2520	80	38	100
32	x 1"	25	2364.3225	90	38	50
40	x 1¼"	32	2364.4032	100	44	36
40	x 1½"	40	2364.4040	100	44	36
50	x 1½"	40	2364.5040	103	44	27
63	x 2"	50	2364.6350	121	49	10
75	x 2½"	65	2364.7565	136	61	8
90	x 3"	80	2364.9080	149	60	5
110	x 4"	100	2364.1110	166	70	3



SPIGOT STUB FLANGE (3414, 3416)

PE100 • SDR11-SDR17

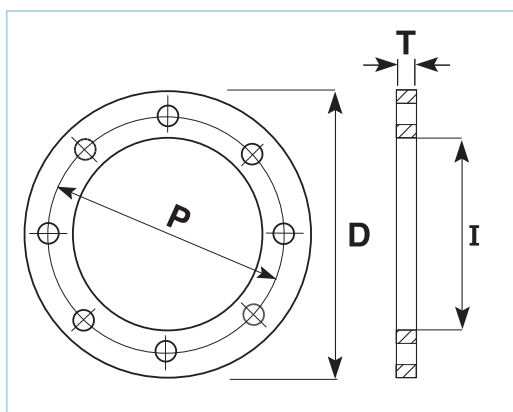
SIZE (mm)	CODE SDR11 (3414)	CODE SDR17 (3416)	A (mm)	B (mm)	L (mm)	T (mm)
20	3414.0020	-	50	66	46	7
25	3414.0025	-	58	91	45	9
32	3414.0032	-	68	88	60	10
40	3414.0040	-	78	100	60	12
50	3414.0050	-	87	100	65	13
63	3414.0063	3416.0063	102	117	63	14
75	3414.0075	3416.0075	122	127	85	16
90	3414.0090	3416.0090	138	136	79	17
110	3414.0110	3416.0110	158	136	82	18
125	3414.0125	3416.0125	158	179	92	25
140	3414.0140	3416.0140	188	288	103	25
160	3414.0160	3416.0160	212	179	98	25
180	3414.0180	3416.0180	212	175	106	30
200	3414.0200	3416.0200	268	179	115	32
225	3414.0225	3416.0225	268	179	125	32
250	3414.0250	3416.0250	320	284	180	32
280	3414.0280	3416.0280	320	245	156	35
315	3414.0315	3416.0315	370	270	185	35
355	3414.0355	3416.0355	430	280	172	30
400	3414.0400	3416.0400	482	220	195	33



GALVANISED BACKING RING (5441) STAINLESS BACKING RING (5442)

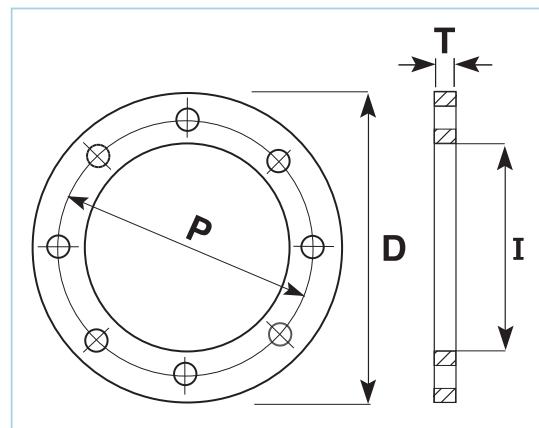
TABLE D

SIZE (mm)	NOMINAL FLANGE SIZE	INCH SIZE	GALV CODE	STAINLESS CODE	P (mm)	I (mm)	D (mm)	T (mm)	BOLT HOLES NO. X DIA	BOLT
20	15	½"	5441.0020	5442.0020	67	32	95	6	4x14	M12
25	20	¾"	5441.0025	5442.0025	73	37	100	6	4x14	M12
32	25	1"	5441.0032	5442.0032	83	44	115	6	4x14	M12
40	32	1 ¼"	5441.0040	5442.0040	87	52	120	6	4x14	M12
50	40	1 ½"	5441.0050	5442.0050	98	62	135	8	4x14	M12
63	50	2"	5441.0063	5442.0063	114	78	150	8	4x18	M16
75	65	2 ½"	5441.0075	5442.0075	127	92	165	8	4x18	M16
90	80	3"	5441.0090	5442.0090	146	108	185	10	4x18	M16
110	100	4"	5441.0110	5442.0110	178	128	215	10	4x18	M16
125	100	4"	5441.4125	5442.4125	178	135	215	13	8x18	M16
125	125	5"	5441.5125	5442.5125	210	140	255	13	8x18	M16
140	125	5"	5441.0140	5442.0140	210	158	255	13	8x18	M16
160	150	6"	5441.0160	5442.0160	235	178	280	13	8x18	M16
180	150	6"	5441.0180	5442.0180	235	188	280	13	8x18	M16
200	200	8"	5441.0200	5442.0200	292	235	335	13	8x18	M16
225	200	8"	5441.0225	5442.0225	292	238	335	13	8x18	M16
250	250	10"	5441.0250	5442.0250	356	288	405	16	8x22	M20
280	250	10"	5441.0280	5442.0280	356	294	405	16	8x22	M20
315	300	12"	5441.0315	5442.0315	406	338	455	19	12x22	M20
355	350	14"	5441.0355	5442.0355	470	376	525	22	12x26	M24
400	400	16"	5441.0400	5442.0400	521	430	580	22	12x26	M24
450	450	18"	5441.0450	5442.0450	584	480	640	25	12x26	M24
500	500	20"	5441.0500	5442.0500	641	533	705	29	16x26	M24
560	-	22"	5441.0560	5442.0560	699	618	760	32	16x30	M27
630	600	24"	5441.0630	5442.0630	756	645	825	32	16x30	M27
710	700	26"	5441.0710	5442.0710	845	740	910	35	20x30	M27
800	800	28"	5441.0800	5442.0800	984	843	1060	41	20x36	M33
900	900		5441.0900	5442.0900	1092	947	1175	48	24x36	
1000	1000		5441.1000	5442.1000	1175	1050	1255	51	24x36	



**TABLE E GALVANISED BACKING RING (5451)
STAINLESS BACKING RING (5452)**

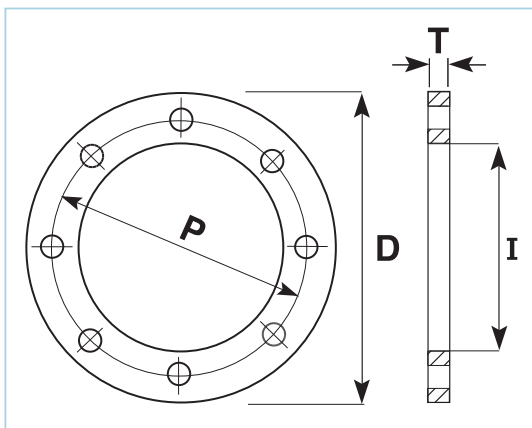
SIZE (mm)	NOMINAL FLANGE SIZE	INCH SIZE	GALV CODE	STAINLESS CODE	P (mm)	I (mm)	D (mm)	T (mm)	BOLT HOLES NO. X DIA	BOLT
20	15	½"	5451.0020	5452.0020	67	32	95	6	4x14	M12
25	20	¾"	5451.0025	5452.0025	73	37	100	6	4x14	M12
32	25	1"	5451.0032	5452.0032	83	44	115	7	4x14	M12
40	32	1 ¼"	5451.0040	5452.0040	87	52	120	8	4x14	M12
50	40	1 ½"	5451.0050	5452.0050	98	62	135	9	4x14	M12
63	50	2"	5451.0063	5452.0063	114	74	150	10	4x18	M16
75	65	2 ½"	5451.0075	5452.0075	127	87	165	10	4x18	M16
90	80	3"	5451.0090	5452.0090	146	103	185	12	4x18	M16
110	100	4"	5451.0110	5452.0110	178	125	215	13	8x18	M16
125	100	4"	5451.4125	5452.4125	178	140	215	14	8x18	M16
125	125	5"	5451.5125	5452.5125	210	140	255	14	8x18	M16
160	150	6"	5451.0160	5452.0160	235	175	280	17	8x22	M20
180	150	6"	5451.0180	5452.0180	235	185	280	17	8x22	M20
200	200	8"	5451.0200	5452.0200	292	230	335	19	8x22	M20
225	200	8"	5451.0225	5452.0225	292	240	335	19	8x22	M20
250	250	10"	5451.0250	5452.0250	356	290	405	22	12x22	M20
280	250	10"	5451.0280	5452.0280	356	300	405	22	12x22	M20
315	300	12"	5451.0315	5452.0315	406	345	455	25	12x26	M24
355	350	14"	5451.0355	5452.0355	470	373	525	29	12x26	M24
400	400	16"	5451.0400	5452.0400	521	425	580	32	12x26	M24
450	450	18"	5451.0450	5452.0450	584	480	640	32	16x26	M24
500	500	20"	5451.0500	5452.0500	641	533	705	38	16x26	M24
560	-	22"	5451.0560	5452.0560	699	590	760	44	16x30	M27
630	600	24"	5451.0630	5452.0630	756	660	825	48	16x33	M30
710	700	26"	5451.0710	5452.0710	845	745	910	51	20x33	M30
800	800	28"	5451.0800	5452.0800	984	835	1060	54	20x36	M33
900	900		5451.0900	5452.0900	1092	947	1175	64	24x36	
1000	1000		5451.1000	5452.1000	1175	1050	1255	67	24x39	



GALVANISED BACKING RING (5461) STAINLESS BACKING RING (5462) TABLE ANSI 150

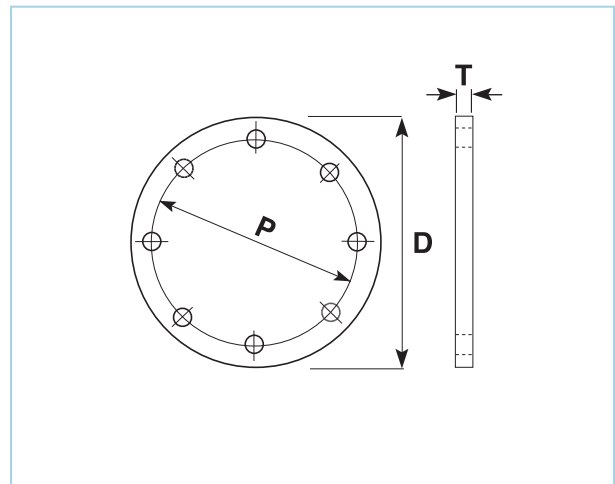
SIZE (mm)	NOMINAL FLANGE SIZE	INCH SIZE	GALV CODE	STAINLESS CODE	P (mm)	I (mm)	D (mm)	T (mm)	BOLT HOLES NO. X DIA	BOLT
20	15	½"	5461.0020	5462.0020	60.5	28	90	6	4x16	½"
25	20	¾"	5461.0025	5462.0025	70	34	98	6	4x16	½"
32	25	1"	5461.0032	5462.0032	79.5	42	108	7	4x16	½"
40	32	1 ¼"	5461.0040	5462.0040	89	51	117	8	4x16	½"
50	40	1 ½"	5461.0050	5462.0050	98.5	62	127	9	4x16	½"
63	50	2"	5461.0063	5462.0063	120.5	78	152	10	4x20	⅝"
75	65	2 ½"	5461.0075	5462.0075	139.5	92	178	10	4x20	⅝"
90	80	3"	5461.0090	5462.0090	152	108	191	11	4x20	⅝"
110	100	4"	5461.0110	5462.0110	190.5	128	229	13	8x20	⅝"
125	125	5"	5461.4125	5462.4125	216	135	254	14	8x23	¾"
140	125	5"	5461.5125	5462.5125	216	158	254	14	8x23	¾"
160	150	6"	5461.0160	5462.0160	241	178	279	17	8x23	¾"
180	150	6"	5461.0180	5462.0180	241	188	279	17	8x23	¾"
200	200	8"	5461.0200	5462.0200	298.5	235	343	19	8x23	¾"
225	200	8"	5461.0225	5462.0225	298.5	238	343	19	8x23	¾"
250	250	10"	5461.0250	5462.0250	362	288	406	22	12x26	⅞"
280	250	10"	5461.0280	5462.0280	362	294	406	22	12x26	⅞"
315	300	12"	5461.0315	5462.0315	432	338	483	25	12x26	⅞"
355	350	14"	5461.0355	5462.0355	476	376	535	29	12x29	1"
400	400	16"	5461.0400	5462.0400	540	430	600	32	16x29	1"
450	450	18"	5461.0450	5462.0450	578	480	635	35	16x32	1 ⅛"
500	500	20"	5461.0500	5462.0500	635	533	700	38	20x32	1 ⅛"
560	560	22"	5461.0630	5462.0630	692	590	750	45	20x36	1 ¼"
630	600	24"	5461.0630	5462.0630	749	660	813	48	20x35	1 ¼"

Note: The thickness of these backing rings has been reduced to comply with AS 2129 Table E Thickness



BLIND FLANGE

800SIZE (mm)	NOMINAL FLANGE SIZE	INCH SIZE	TABLE D GALV (5471)	TABLE D STAINLESS (5472)	TABLE E GALV (5481)	TABLE E STAINLESS (5482)	ANSI 150LB GALV (5491)	ANSI 150LB STAINLESS (5492)
20	15	1/2"	5471.0020	5472.0020	5481.0020	5482.0020	5491.0020	5492.0020
25	20	3/4"	5471.0025	5472.0025	5481.0025	5482.0025	5491.0025	5492.0025
32	25	1"	5471.0032	5472.0032	5481.0032	5482.0032	5491.0032	5492.0032
40	32	1 1/4"	5471.0040	5472.0040	5481.0040	5482.0040	5491.0040	5492.0040
50	40	1 1/2"	5471.0050	5472.0050	5481.0050	5482.0050	5491.0050	5492.0050
63	50	2"	5471.0063	5472.0063	5481.0063	5482.0063	5491.0063	5492.0063
75	65	2 1/2"	5471.0075	5472.0075	5481.0075	5482.0075	5491.0075	5492.0075
90	80	3"	5471.0090	5472.0090	5481.0090	5482.0090	5491.0090	5492.0090
110	100	4"	5471.0110	5472.0110	5481.0110	5482.0110	5491.0110	5492.0110
125	100	4"	5471.0125	5472.0125	5481.0125	5482.0125	5491.0125	5492.0125
125	125	5"	5471.5125	5472.5125	5481.5125	5482.5125	5491.5125	5492.5125
160	150	6"	5471.0160	5472.0160	5481.0160	5482.0160	5491.0160	5492.0160
180	150	6"	5471.0180	5472.0180	5481.0180	5482.0180	5491.0180	5492.0180
200	200	8"	5471.0200	5472.0200	5481.0200	5482.0200	5491.0200	5492.0200
225	200	8"	5471.0225	5472.0225	5481.0225	5482.0225	5491.0225	5492.0225
250	250	10"	5471.0250	5472.0250	5481.0250	5482.0250	5491.0250	5492.0250
280	250	10"	5471.0280	5472.0280	5481.0280	5482.0280	5491.0280	5492.0280
315	300	12"	5471.0315	5472.0315	5481.0315	5482.0315	5491.0315	5492.0315
355	350	14"	5471.0355	5472.0355	5481.0355	5482.0355	5491.0355	5492.0355
400	400	16"	5471.0400	5472.0400	5481.0400	5482.0400	5491.0400	5492.0400
450	450	18"	5471.0450	5472.0450	5481.0450	5482.0450	5491.0450	5492.0450
500	500	20"	5471.0500	5472.0500	5481.0500	5482.0500	5491.0500	5492.0500
560	-	22"	5471.0560	5472.0560	5481.0560	5482.0560	5491.0560	5492.0560
630	600	24"	5471.0630	5472.0630	5481.0630	5482.0630	5491.0630	5492.0630
710	650	26"	5471.0710	5472.0710	5481.0710	5482.0710	5491.0710	5492.0710
800	700	28"	5471.0800	5472.0800	5481.0800	5482.0800	5491.0800	5492.0800

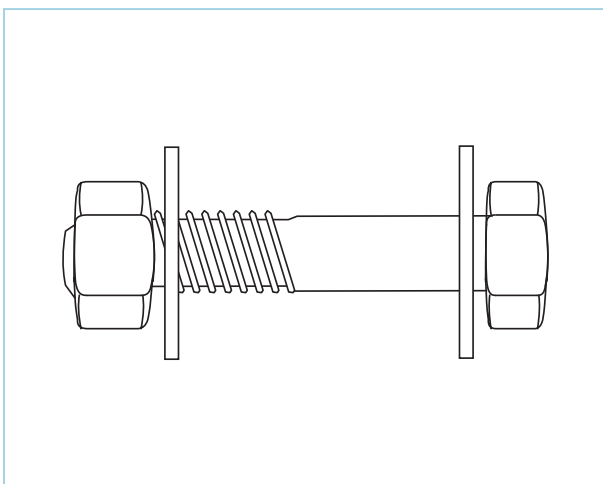


BOLT SET - PE TO TABLE D STEEL FLANGE CONNECTION (9662/9672)

PE FLANGE SIZE	STEEL FLANGE (mm)	INCH SIZE	HOLE PATTERN	MAX FLANGE THICKNESS	HOLE SIZE X NUMBER	CODE GALVANISED 4.6M/S	CODE 316 STAINLESS STEEL
63	50	2"	Table D/E	16	18 x 4	9661.0063	9671.0063
75	65	2.5"	Table D/E	24	18 x 4	9661.0075	9671.0075
90	80	3"	Table D/E	20	18 x 4	9661.0090	9671.0090
110	100	4"	Table D	40	18 x 4	9662.0110	9672.0110
125	125	5"	Table D	30	18 x 8	9662.0125	9672.0125
140	125	5"	Table D	30	18 x 8	9662.0140	9672.0140
160	150	6"	Table D	30	18 x 8	9662.0160	9672.0160
180	150	6"	Table D	30	18 x 8	9662.0180	9672.0180
200	200	8"	Table D	36	18 x 8	9662.0200	9672.0200
225	200	8"	Table D	36	18 x 8	9662.0225	9672.0225
250	250	10"	Table D	38	22 x 8	9662.0250	9672.0250
280	250	10"	Table D	38	22 x 8	9662.0280	9672.0280
315	300	12"	Table D	36	22 x 12	9662.0315	9672.0315
355	350	14"	Table D	42	26 x 12	9662.0355	9672.0355
400	400	16"	Table D	46	26 x 12	9662.0400	9672.0400
450	450	18"	Table D	52	26 x 12	9662.0450	9672.0450
500	500	20"	Table D	60	26 x 16	9662.0500	9672.0500
560	550	22"	Table D	68	30 x 16	9662.0560	9672.0560
630	600	24"	Table D	68	30 x 16	9662.0630	9672.0630

Note 1: Consult gasket supplier for correct torque values

Note 2: Specialised stud bolt range available to order

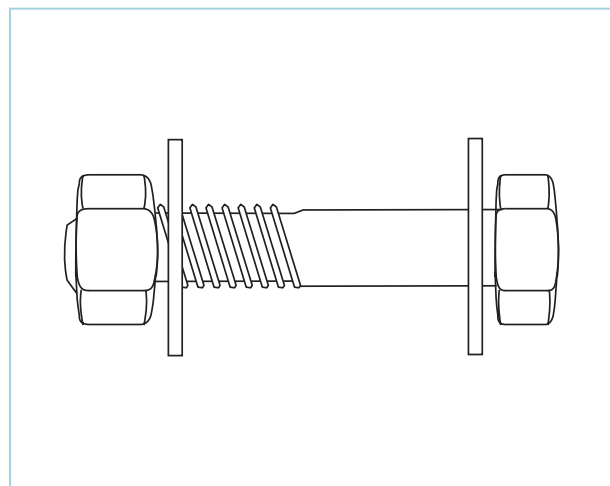


BOLT SET - PE TO TABLE E STEEL FLANGE CONNECTION (9663/9673)

PE FLANGE SIZE	STEEL FLANGE (mm)	INCH SIZE	HOLE PATTERN	MAX FLANGE THICKNESS	HOLE SIZE X NUMBER	CODE GALVANISED 4.6M/S	CODE 316 STAINLESS STEEL
63	50	2"	Table D/E	16	18 x 4	9661.0063	9671.0063
75	65	2.5"	Table D/E	24	18 x 4	9661.0075	9671.0075
90	80	3"	Table D/E	20	18 x 4	9661.0090	9671.0090
110	100	4"	Table E	38	18 x 8	9663.0110	9673.0110
125	100	4"	Table E	30	18 x 8	9663.1210	9673.1210
125	125	5"	Table E	30	18 x 8	9663.0125	9673.0125
140	125	5"	Table E	30	18 x 8	9663.0140	9673.0140
160	150	6"	Table E	34	22 x 8	9663.0160	9673.0160
180	150	6"	Table E	34	22 x 8	9663.0180	9673.0180
200	200	8"	Table E	30	22 x 8	9663.0200	9673.0200
225	200	8"	Table E	30	22 x 8	9663.0225	9673.0225
250	250	10"	Table E	32	22 x 12	9663.0250	9673.0250
280	250	10"	Table E	32	22 x 12	9663.0280	9673.0280
315	300	12"	Table E	40	26 x 12	9663.0315	9673.0315
355	350	14"	Table E	45	26 x 12	9663.0355	9673.0355
400	400	16"	Table E	46	26 x 12	9663.0400	9673.0400
450	450	18"	Table E	46	26 x 16	9663.0450	9673.0450
500	500	20"	Table E	54	26 x 16	9663.0500	9673.0500
560	550	22"	Table E	56	30 x 16	9663.0560	9673.0560
630	600	24"	Table E	52	33 x 16	9663.0630	9673.0630

Note 1: Consult gasket supplier for correct torque values

Note 2: Specialised stud bolt range available to order

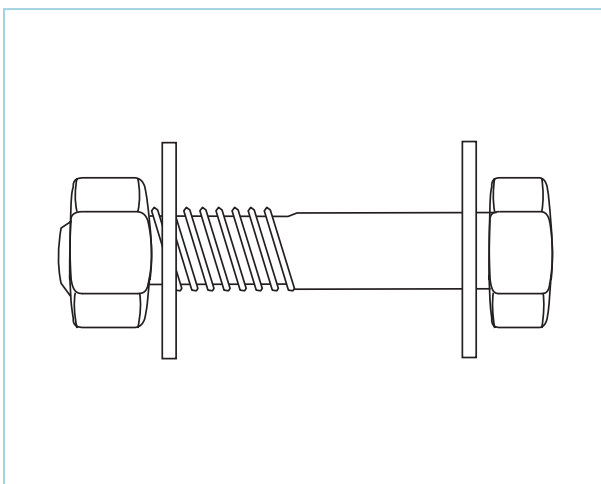


BOLT SET - PE TO ANSI 150 STEEL FLANGE CONNECTION (9664/9674)

PE FLANGE SIZE	STEEL FLANGE (mm)	INCH SIZE	HOLE PATTERN	MAX FLANGE THICKNESS	HOLE SIZE X NUMBER	CODE GALVANISED 4.6M/S	CODE 316 STAINLESS STEEL
63	50	2"	ANSI 150	16	19 x 4	9664.0063	9674.0063
75	65	2.5"	ANSI 150	22	19 x 4	9664.0075	9674.0075
90	80	3"	ANSI 150	22	19 x 4	9664.0090	9674.0090
110	100	4"	ANSI 150	38	19 x 8	9664.0110	9674.0110
125	125	5"	ANSI 150	36	23 x 8	9664.0125	9674.0125
140	125	5"	ANSI 150	36	23 x 8	9664.0140	9674.0140
160	150	6"	ANSI 150	34	23 x 8	9664.0160	9674.0160
180	150	6"	ANSI 150	34	23 x 8	9664.0180	9674.0180
200	200	8"	ANSI 150	29	22 x 8	9664.0200	9674.0200
225	200	8"	ANSI 150	29	22 x 8	9664.0225	9674.0225
250	250	10"	ANSI 150	32	26 x 12	9664.0250	9674.0250
280	250	10"	ANSI 150	32	26 x 12	9664.0280	9674.0280
315	300	12"	ANSI 150	42	26 x 12	9664.0315	9674.0315
355	350	14"	ANSI 150	45	29 x 12	9664.0355	9674.0355
400	400	16"	ANSI 150	46	29 x 16	9664.0400	9674.0400
450	450	18"	ANSI 150	52	32 x 16	9664.0450	9674.0450
500	500	20"	ANSI 150	50	32 x 20	9664.0500	9674.0500
560	550	22"	ANSI 150	58	35 x 20	9664.0560	9674.0560
630	600	24"	ANSI 150	78	35 x 20	9664.0630	9674.0630

Note 1: Consult gasket supplier for correct torque values

Note 2: Specialised stud bolt range available to order



TOOLS AND EQUIPMENT OVERVIEW



ACU-TECH Q-BOX WELDERS

- Welding of automatic or manual fittings.
- Performance and durability:
Die-cast aluminium casing incorporating large cooling fins ensures high duty cycle performance.
- Practical hard wearing, scratch resistant, polycarbonate display.
- True graphic display accommodates full range of international character sets. Eighteen languages currently supported including Chinese, Russian and Polish.
- Printer/scanner socket, USB connector and SD card port.

Key Specifications -

Max Output Current: 80A
 Operating Temperature: -10 to +50
 IP Rating: IP54
 Weight 21.5kg
 Detachable 3.2m output cable
 Data memory stores up to 2000 joints



ROTARY PIPE SCRAPING TOOLS

- Durable but lightweight Aluminium / Stainless steel / Mild steel construction with ball-bearings on rotating parts.
- 4-sided Tungsten Carbide scraping tip for extended life.
- Spring loaded action scrapes out-of-round pipes with ease.
- Depth of scrape 0.3mm.
- Optional tool box available.

Uniprep mini

- 20 - 63mm

Uniprep 225

- 63 - 225mm

Uniprep 250

- 90 - 250mm

Uniprep 400

- 90 - 400mm

Uniprep 500

- 125 - 500mm

Uniprep 710

- 450 - 710mm



HAND SCRAPER

- For hand scraping of any pipe & spigot fittings.
- Ergonomic rubber handle.
- 4 sided replaceable blade.

DISPOSABLE WELDING WIPES

- Prevent contamination of the weld zone by using these convenient & safe disposable wiping cloths, 70% Isopropyl alcohol impregnated (Tub of 75).
- Code: 9991.0075.

TOOLS AND EQUIPMENT OVERVIEW

WELDING CLAMPS

- We have access to a large range of different styles of welding clamps for electrofusion welding, from 20mm up to 710mm.



SQUEEZE-OFF TOOLS, RE-ROUNDING CLAMPS & PIPE CUTTERS

- We can offer a range of Squeeze-off tools in both manual & hydraulic configurations from 20mm up to 355mm, Re-Rounding clamps 20mm to 710mm and also pipe cutters 32mm up to 315mm.



BUTT WELD MACHINERY

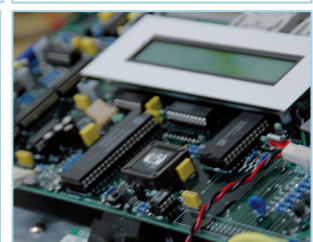
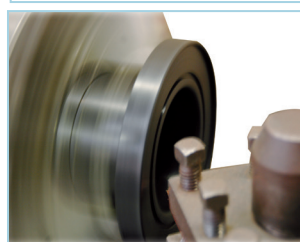
- A range of both automatic & manually operated butt weld machinery is available for hire or sale.

GENERATORS

- A range of petrol and diesel powered generators.

REPAIR AND CALIBRATION SERVICES

- Our technical department offers repair and calibration services for most types of PE welding equipment.



RELATED PIPELINE PRODUCTS OVERVIEW



FLANGE GASKETS

Acu-tech offers a range of gaskets for PE to Steel flange connections, for both fluid and gas applications. There are a variety of materials available depending on operating medium, the operating conditions and the design requirements.



VALVES

Acu-Tech supplies a range of ball, gate, check and landing valves in PE, PP, PVC, Brass, Steel and Stainless steel.



TRANSITION FITTINGS

Contact the team at Acu-Tech for more details on the large range of PE to Copper, Steel, Stainless steel and Plastic transition fittings available.

RELATED PIPELINE PRODUCTS OVERVIEW

REPAIR CLAMPS

Require a mechanical repair or connection fitting? Acu-Tech has access to a range of stainless steel repair clamp fittings for emergency and maintenance applications. These fittings are suitable for metallic as well as plastic pipes, with a size range from 50mm up to 900mm O.D.



DETECTABLE PIPE MARKER TAPE FOR BURIED PIPELINES

Acu-Tech stocks a range of detectable underground marking tapes, offering a superior level of protection and detectability for buried utilities. Non-detectable tape is available on request.

- Made in Australia to Australian Standards 2648 Part 1 1995
- Each carton contains 1 roll of 250m x 100mm
- 100 micron for extra strength
- Custom mains marker available on request
- High chemical resistance
- Mains Marker tape is made from lead free material



CODE	COLOUR	DESCRIPTION
DETTAPEG	Yellow	Danger - Buried Gas Main Below
DETTAPEW	Green	Danger - Buried Water Main Below
DETTAPEF	Red	Danger - Buried Firefighter Main Below
DETTAPER	Purple	Recycled/Reclaimed Water - Do Not Drink
DETTAPEGR	Grey	Warning Grey Water - Do Not Drink - Non Potable
DETTAPES	Brown	Danger - Buried Sewer Main Below

ACU-DRAIN HDPE DRAINAGE SYSTEM AND DYNATHERM PP-R HOT & COLD WATER PIPING SYSTEM

Please contact the sales team at Acu-Tech for more details.

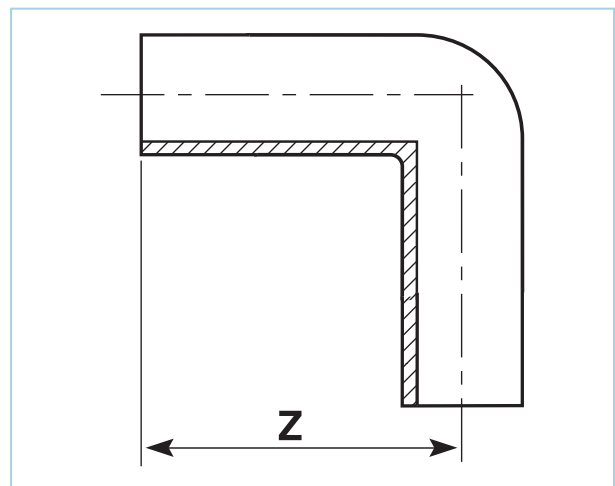


90° SPIGOT ELBOW (3054/3056)

PE100 • SDR11 • SDR17

SIZE (mm)	CODE SDR11 (3054)	CODE SDR17 (3056)	Z (mm)	BOX
20	3054.0020	-	68	1
25	3054.0025	-	80	1
32	3054.0032	-	71	1
40	3054.0040	-	83	1
50	3054.0050	-	91	1
63	3054.0063	3056.0063	111	1
75	3054.0075	3056.0075	128	1
90	3054.0090	3056.0090	130	1
110	3054.0110	3056.0110	149	1
125	3054.0125	3056.0125	166	1
140	3054.0140	3056.0140	183	1
160	3054.0160	3056.0160	191	1
180	3054.0180	3056.0180	226	1
200	3054.0200	3056.0200	220	1
225	3054.0225	3056.0225	238	1
250	3054.0250	3056.0250	304	1
280	3054.0280	3056.0280	340	1
315	3054.0315	3056.0315	370	1
355	3054.0355	3056.0355	451	1
400	3054.0400	3056.0400	469	1
450	3054.0450	3056.0450	522	1
500	3054.0500	3056.0500	576	1

Note: Larger sizes available on request

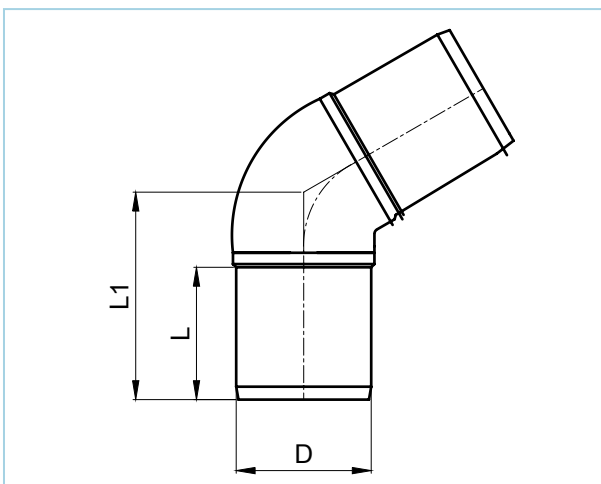


45° SPIGOT ELBOW (3104/3106)

PE100 • SDR11 • SDR17

SIZE (mm)	CODE SDR11 (3104)	CODE SDR17 (3106)	Z (mm)	BOX
20	3104.0020	-	44	1
25	3104.0025	-	48	1
32	3104.0032	-	57	1
40	3104.0040	-	63	1
50	3104.0050	-	70	1
63	3104.0063	3106.0063	80	1
75	3104.0075	3106.0075	90	1
90	3104.0090	3106.0090	104	1
110	3104.0110	3106.0110	108	1
125	3104.0125	3106.0125	133	1
140	3104.0140	3106.0140	135	1
160	3104.0160	3106.0160	157	1
180	3104.0180	3106.0180	177	1
200	3104.0200	3106.0200	172	1
225	3104.0225	3106.0225	183	1
250	3104.0250	3106.0250	217	1
280	3104.0280	3106.0280	238	1
315	3104.0315	3106.0315	251	1
355	3104.0355	3106.0355	317	1
400	3104.0400	3106.0400	346	1
450	3104.0450	3106.0450	375	1
500	3104.0500	3106.0500	409	1

Note: Larger sizes available on request



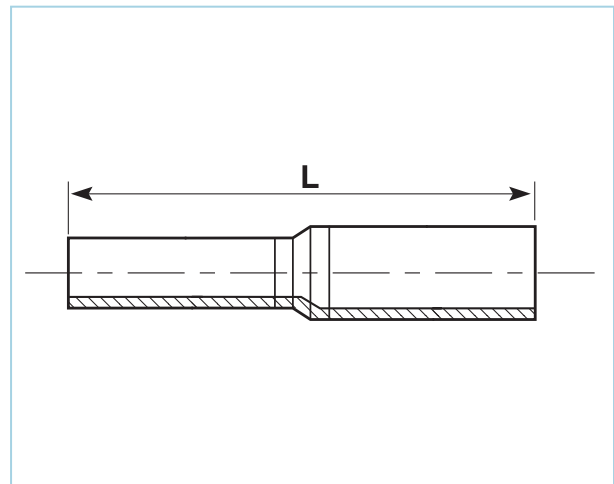
SPIGOT REDUCER (3034/3036)

PE100 • SDR11 • SDR17

SIZE (mm)	CODE SDR11 (3034)	CODE SDR17 (3036)	L (mm)	Box QTY
25 x 20	3034.2520	-	87	1
32 x 20	3034.3220	-	92	1
32 x 25	3034.3225	-	92	1
40 x 20	3034.4020	-	102	1
40 x 25	3034.4025	-	102	1
40 x 32	3034.4032	-	102	1
50 x 25	3034.5025	-	118	1
50 x 32	3034.5032	-	118	1
50 x 40	3034.5040	-	126	1
63 x 32	3034.6332	-	136	1
63 x 40	3034.6340	-	128	1
63 x 50	3034.6350	-	150	1
75 x 50	3034.7550	-	148	1
75 x 63	3034.7563	3036.7563	149	1
90 x 63	3034.9063	3036.9063	157	1
90 x 75	3034.9075	3036.9075	163	1
110 x 63	3034.1163	3036.1163	180	1
110 x 75	3034.1175	3036.1175	177	1
110 x 90	3034.1190	3036.1190	187	1

SIZE (mm)	CODE SDR11 (3034)	CODE SDR17 (3036)	L (mm)	Box QTY
125 x 63	3034.1263	3036.1263	190	1
125 x 110	3034.1211	3036.1211	211	1
160 x 90	3034.1690	3036.1690	217	1
160 x 110	3034.1611	3036.1611	222	1
160 x 125	3034.1612	3036.1612	228	1
160 x 140	3034.1614	3036.1614	229	1
180 x 125	3034.1812	3036.1812	272	1
180 x 160	3034.1816	3036.1816	276	1
200 x 160	3034.2016	3036.2016	252	1
225 x 160	3034.2216	3036.2216	270	1
225 x 180	3034.2218	3036.2218	290	1
250 x 160	3034.2516	3036.2516	314	1
250 x 200	3034.2521	3036.2521	314	1
250 x 225	3034.2522	3036.2522	315	1
280 x 250	3034.2825	3036.2825	355	1
315 x 200	3034.3120	3036.3120	375	1
315 x 225	3034.3122	3036.3122	375	1
315 x 250	3034.3125	3036.3125	375	1
315 x 280	3034.3128	3036.3128	365	1

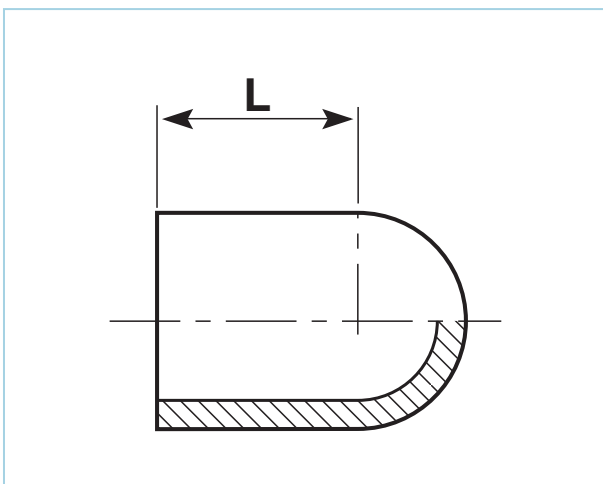
Note: Non-standard Reducers fabricated to order.



SPIGOT END CAP (3274/3276)

PE100 • SDR11 • SDR17

SIZE (mm)	CODE SDR11 (3274)	CODE SDR17 (3276)	L (mm)	BOX QTY
20	3274.0020	-	45	1
25	3274.0025	-	48	1
32	3274.0032	-	54	1
40	3274.0040	-	61	1
50	3274.0050	-	71	1
63	3274.0063	3276.0063	84	1
75	3274.0075	3276.0075	91	1
90	3274.0090	3276.0090	107	1
110	3274.0110	3276.0110	133	1
125	3274.0125	3276.0125	132	1
140	3274.0140	3276.0140	144	1
160	3274.0160	3276.0160	168	1
180	3274.0180	3276.0180	192	1
200	3274.0200	3276.0200	182	1
225	3274.0225	3276.0225	212	1
250	3274.0250	3276.0250	230	1
280	3274.0280	3276.0280	257	1
315	3274.0315	3276.0315	262	1

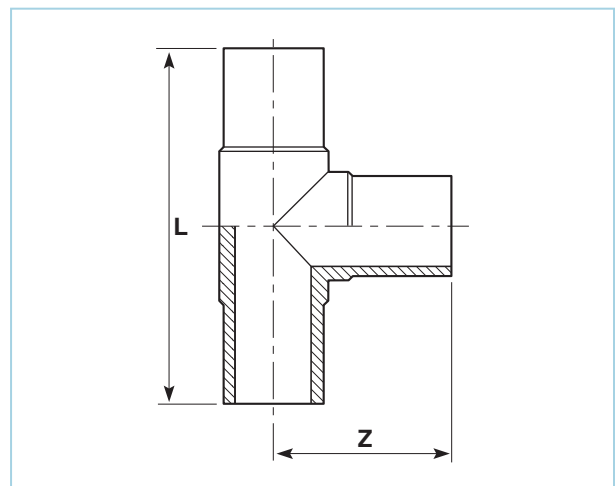


SPIGOT EQUAL TEE (3154/3156)

PE100 • SDR11 • SDR17

SIZE (mm)	CODE SDR11 (3154)	CODE SDR17 (3156)	L (mm)	Z (mm)	BOX
20	3154.0020	-	107	55	1
25	3154.0025	-	117	59	1
32	3154.0032	-	144	71	1
40	3154.0040	-	168	84	1
50	3154.0050	-	189	95	1
63	3154.0063	3156.0063	224	112	1
75	3154.0075	3156.0075	260	128	1
90	3154.0090	3156.0090	286	143	1
110	3154.0110	3156.0110	317	158	1
125	3154.0125	3156.0125	346	172	1
140	3154.0140	3156.0140	380	190	1
160	3154.0160	3156.0160	408	203	1
180	3154.0180	3156.0180	521	260	1
200	3154.0200	3156.0200	550	275	1
225	3154.0225	3156.0225	548	271	1
250	3154.0250	3156.0250	622	310	1
280	3154.0280	3156.0280	694	347	1
315	3154.0315	3156.0315	752	375	1
355	3154.0355	3156.0355	820	410	1
400	3154.0400	3156.0400	952	476	1
450	3154.0450	3156.0450			1
500	3154.0500	3156.0500	1044	522	1

Note: Larger sizes available on request



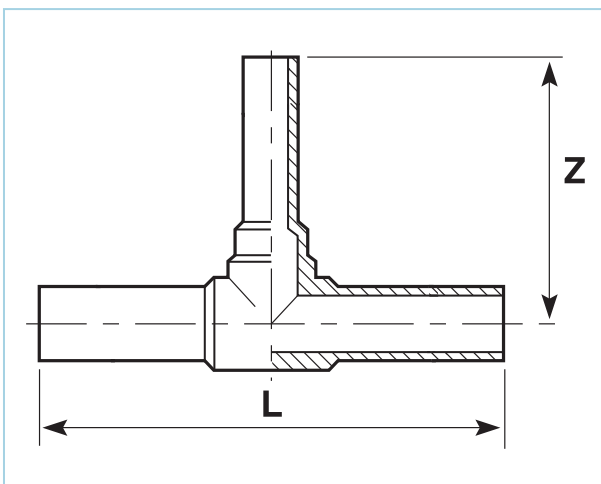
SPIGOT REDUCING TEE (3164/3166)

PE100 • SDR11 • SDR17

SIZE 1 (mm)	SIZE 2 (mm)	L (mm)	Z (mm)	BOX QTY	CODE SDR11 (3164)	CODE SDR17 (3166)
63	x 32	228	91	1	3164.6332	3166.6332
63	x 40	232	106	1	3164.6340	3166.6340
63	x 50	213	100	1	3164.6350	3166.6350
75	x 50	253	113	1	3164.7550	3166.7550
75	x 63	252	117	1	3164.7563	3166.7563
90	x 63	264	134	1	3164.9063	3166.9063
90	x 75	272	138	1	3164.9075	3166.9075
110	x 63	305	154	1	3164.1163	3166.1163
110	x 75	305	148	1	3164.1175	3166.1175
110	x 90	310	155	1	3164.1190	3166.1190
125	x 90	340	170	1	3164.1290	3166.1290
125	x 110	340	172	1	3164.1211	3166.1211
160	x 90	343	177	1	3164.1690	3166.1690
160	x 110	390	194	1	3164.1611	3166.1611
180	x 110	455	220	1	3164.1811	3166.1811
180	x 160	412	204	1	3164.1816	3166.1816
200	x 63	550	225	1	3164.2063	3166.2063
200	x 110	550	240	1	3164.2011	3166.2011

SIZE 1 (mm)	SIZE 2 (mm)	L (mm)	Z (mm)	BOX QTY	CODE SDR11 (3164)	CODE SDR17 (3166)
200	x 125	550	240	1	3164.2012	3166.2012
200	x 160	550	265	1	3164.2016	3166.2016
225	x 110	439	226	1	3164.2211	3166.2211
225	x 160	490	246	1	3164.2216	3166.2216
225	x 180	552	246	1	3164.2218	3166.2218
250	x 110	435	290	1	3164.2511	3166.2511
250	x 160	440	315	1	3164.2516	3166.2516
250	x 180	622	525	1	3164.2518	3166.2518
250	x 200	622	525	1	3164.2521	3166.2521
280	x 160	694	570	1	3164.2816	3166.2816
280	x 180	694	570	1	3164.2818	3166.2818
280	x 200	694	570	1	3164.2820	3166.2820
315	x 110	546	290	1	3164.3111	3166.3111
315	x 160	575	310	1	3164.3116	3166.3116
315	x 180	752	600	1	3164.3118	3166.3118
315	x 200	752	600	1	3164.3120	3166.3120
315	x 225	638	335	1	3164.3122	3166.3122
315	x 250	670	333	1	3164.3125	3166.3125

Note: Larger sizes available on request

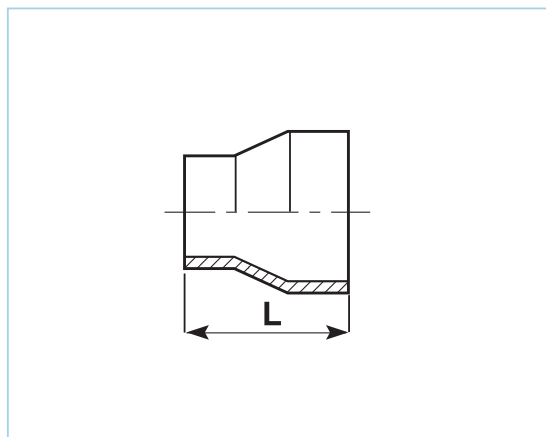


BUTT WELD REDUCER (4034/4036)

PE100 • SDR11 • SDR17

SIZE (mm)	SIZE 2 (mm)	CODE SDR11 (4034)	CODE SDR17 (4036)	L (mm)
63	50	4034.6350	4036.6350	60
75	50	4034.7550	4036.7550	70
75	63	4034.7563	4036.7563	85
90	50	4034.9050	4036.9050	75
90	63	4034.9063	4036.9063	75
90	75	4034.9075	4036.9075	75
110	50	4034.1150	4036.1150	90
110	63	4034.1163	4036.1163	105
110	75	4034.1175	4036.1175	95
110	90	4034.1190	4036.1190	100
125	63	4034.1263	4036.1263	120
125	75	4034.1275	4036.1275	100
125	90	4034.1290	4036.1290	110
125	110	4034.1211	4036.1211	102
140	63	4034.1463	4036.1463	110
140	75	4034.1475	4036.1475	110
140	90	4034.1490	4036.1490	110
140	110	4034.1411	4036.1411	110
140	125	4034.1412	4036.1412	110
160	63	4034.1663	4036.1663	120
160	75	4034.1675	4036.1675	120
160	90	4034.1690	4036.1690	140
160	110	4034.1611	4036.1611	128
160	125	4034.1612	4036.1612	122
160	140	4034.1614	4036.1614	120
180	63	4034.1863	4036.1863	120
180	75	4034.1875	4036.1875	120

SIZE (mm)	SIZE 2 (mm)	CODE SDR11 (4034)	CODE SDR17 (4036)	L (mm)
180	90	4034.1890	4036.1890	143
180	110	4034.1811	4036.1811	130
180	125	4034.1812	4036.1812	143
180	160	4034.1816	4036.1816	130
200	63	4034.2063	4036.2063	120
200	75	4034.2075	4036.2075	120
200	90	4034.2090	4036.2090	120
200	110	4034.2011	4036.2011	120
200	125	4034.2012	4036.2012	120
200	160	4034.2016	4036.2016	120
200	140	4034.2014	4036.2014	120
200	180	4034.2018	4036.2018	120
225	90	4034.2290	4036.2290	120
225	110	4034.2211	4036.2211	120
225	125	4034.2212	4036.2212	120
225	140	4034.2214	4036.2214	115
225	160	4034.2216	4036.2216	115
225	180	4034.2218	4036.2218	115
225	200	4034.2220	4036.2220	115
250	90	4034.2590	4036.2590	120
250	110	4034.2511	4036.2511	120
250	125	4034.2512	4036.2512	120
250	140	4034.2514	4036.2514	115
250	160	4034.2516	4036.2516	115
250	180	4034.2518	4036.2518	115
250	200	4034.2520	4036.2520	115
250	225	4034.2522	4036.2522	115

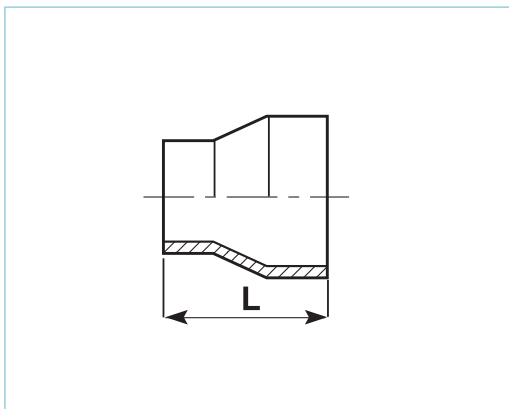


BUTT WELD REDUCER (4034/4036)

PE100 • SDR11 • SDR17

SIZE (mm)	SIZE 2 (mm)	CODE SDR11 (4034)	CODE SDR17 (4036)	L (mm)
280	90	4034.2890	4036.2890	120
280	110	4034.2811	4036.2811	120
280	125	4034.2812	4036.2812	120
280	140	4034.2814	4036.2814	115
280	160	4034.2816	4036.2816	115
280	180	4034.2818	4036.2818	115
280	200	4034.2820	4036.2820	115
280	225	4034.2822	4036.2822	115
280	250	4034.2825	4036.2825	115
315	90	4034.3190	4036.3190	120
315	110	4034.3111	4036.3111	120
315	125	4034.3112	4036.3112	120
315	140	4034.3114	4036.3114	120
315	160	4034.3116	4036.3116	120
315	180	4034.3118	4036.3118	120
315	200	4034.3120	4036.3120	120
315	225	4034.3122	4036.3122	120
315	250	4034.3125	4036.3125	120
315	280	4034.3128	4036.3128	120
355	90	4034.3590	4036.3590	120
355	110	4034.3511	4036.3511	120
355	125	4034.3512	4036.3512	120
355	140	4034.3514	4036.3514	120
355	160	4034.3516	4036.3516	120
355	180	4034.3518	4036.3518	120
355	200	4034.3520	4036.3520	120
355	225	4034.3522	4036.3522	120
355	250	4034.3525	4036.3525	120
355	280	4034.3528	4036.3528	120

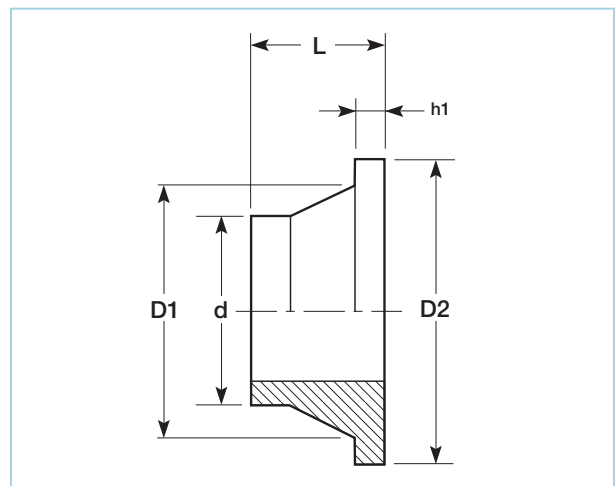
SIZE (mm)	SIZE 2 (mm)	CODE SDR11 (4034)	CODE SDR17 (4036)	L (mm)
355	315	4034.3531	4036.3531	120
400	90	4034.4090	4036.4090	125
400	110	4034.4011	4036.4011	125
400	125	4034.4012	4036.4012	125
400	140	4034.4014	4036.4014	125
400	160	4034.4016	4036.4016	125
400	180	4034.4018	4036.4018	125
400	200	4034.4020	4036.4020	125
400	225	4034.4022	4036.4022	125
400	250	4034.4025	4036.4025	125
400	280	4034.4028	4036.4028	125
400	315	4034.4031	4036.4031	125
400	355	4034.4035	4036.4035	125
450	160	4034.4516	4036.4516	125
450	180	4034.4518	4036.4518	125
450	200	4034.4520	4036.4520	125
450	225	4034.4522	4036.4522	125
450	250	4034.4525	4036.4525	125
450	280	4034.4528	4036.4528	125
450	315	4034.4531	4036.4531	125
450	355	4034.4535	4036.4535	125
500	200	4034.5020	4036.5020	125
500	225	4034.5022	4036.5022	125
500	250	4034.5025	4036.5025	125
500	280	4034.5028	4036.5028	125
500	315	4034.5031	4036.5031	125
500	355	4034.5035	4036.5035	125
500	400	4034.5040	4036.5040	125
500	450	4034.5045	4036.5045	125



BUTT WELD STUB FLANGE (4414/4416)

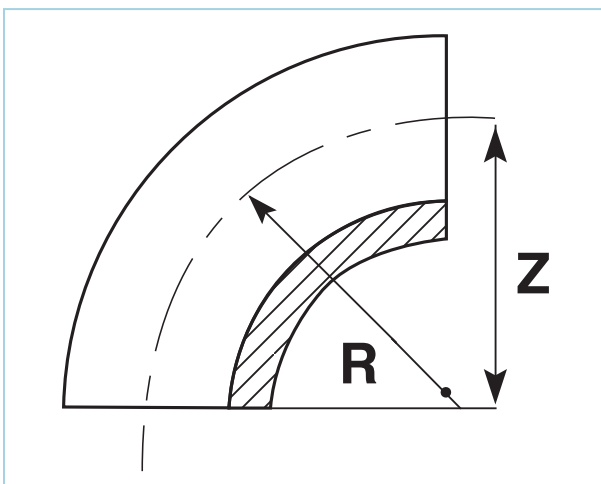
PE100 • SDR11 • SDR17

SIZE (mm)	CODE SDR11 (4414)	CODE SDR17 (4416)	D1 (mm)	D2 (mm)	L (mm)	H1 (mm)
63	4414.0063	4416.0063	75	95	50	15
75	4414.0075	4416.0075	88	108	50	15
90	4414.0090	4416.0090	103	129	80	17
110	4414.0110	4416.0110	124	158	80	18
125	4414.0125	4416.0125	128	158	80	25
140	4414.0140	4416.0140	151	187	80	25
160	4414.0160	4416.0160	168	213	80	25
180	4414.0180	4416.0180	190	213	80	30
200	4414.0200	4416.0200	225	270	95	30
225	4414.0225	4416.0225	230	270	95	30
250	4414.0250	4416.0250	284	322	100	35
280	4414.0280	4416.0280	294	334	100	35
315	4414.0315	4416.0315	335	380	105	35
355	4414.0355	4416.0355	366	442	110	40
400	4414.0400	4416.0400	420	495	110	45
450	4414.0450	4416.0450	470	545	110	45
500	4414.0500	4416.0500	520	596	125	60
560	4414.0560	4416.0560	580	657	125	60
630	4414.0630	4416.0630	650	710	130	60
710	4414.0710	4416.0710	735	880	130	60
800	4414.0800	4416.0800	825	940	130	60



SIZE (mm)	CODE SDR11 (4054)	CODE SDR17 (4056)	Z (mm)	R (mm)
63	4054.0063	4056.0063	66	63
75	4054.0075	4056.0075	78	75
90	4054.0090	4056.0090	93	90
110	4054.0110	4056.0110	115	110
125	4054.0125	4056.0125	130	125
140	4054.0140	4056.0140	145	140
160	4054.0160	4056.0160	167	160
180	4054.0180	4056.0180	200	180
200	4054.0200	4056.0200	207	200
225	4054.0225	4056.0225	232	225
250	4054.0250	4056.0250	257	285
280	4054.0280	4056.0280	287	287
315	4054.0315	4056.0315	322	322
355	4054.0355	4056.0355	380	380
400	4054.0400	4056.0400	425	425
450	4054.0450	4056.0450	450	450
500	4054.0500	4056.0500	450	450

Note: For butt weld only. Can be extended for electrofusion



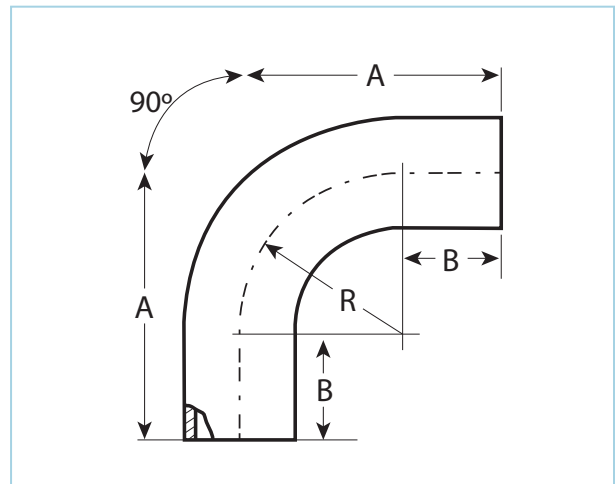
90° SWEEP BEND (6754/6756)

PE100 • SDR11 • SDR17

SIZE (mm)	CODE SDR11 (6754)	CODE SDR17 (6756)	A (mm)	B (mm)	R (mm)
20	6754.0020	6756.0020	200	100	100
25	6754.0025	6756.0025	200	100	100
32	6754.0032	6756.0032	228	100	128
40	6754.0040	6756.0040	260	100	160
50	6754.0050	6756.0050	275	100	175
63	6754.0063	6756.0063	325	100	225
75	6754.0075	6756.0075	455	150	305
90	6754.0090	6756.0090	455	150	305
110	6754.0110	6756.0110	560	180	380
125	6754.0125	6756.0125	560	180	380
140	6754.0140	6756.0140	660	200	460
160	6754.0160	6756.0160	660	200	460
200	6754.0200	6756.0200	785	250	535
225	6754.0225	6756.0225	785	250	535
250	6754.0250	6756.0250	915	300	615
280	6754.0280	6756.0280	965	350	615
315	6754.0315	6756.0315	1115	400	715
355	6754.0355	6756.0355	1280	500	780
400	6754.0400	6756.0400	1620	550	1070
450	6754.0450	6756.0450	1650	550	1100
500	6754.0500	6756.0500	1950	700	1250
560	6754.0560	6756.0560	1982	700	1250
630	6754.0630	6756.0630	2015	700	1282

Note: Other degree bends made to order

Note: This fitting is suitable for butt weld only and will need to be extended for electrofusion



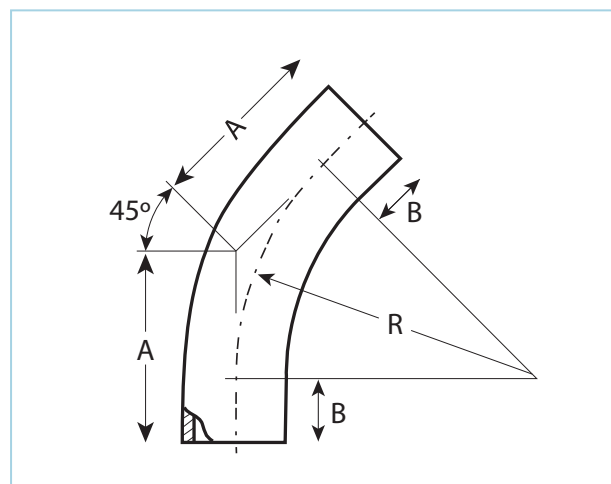
45° SWEEP BEND (6774/6776)

PE100 • SDR11 • SDR17

SIZE (mm)	CODE SDR11 (6774)	CODE SDR17 (6776)	A (mm)	B (mm)	R (mm)
20	6774.0020	6776.0020	140	100	100
25	6774.0025	6776.0025	140	100	100
32	6774.0032	6776.0032	150	100	128
40	6774.0040	6776.0040	165	100	160
50	6774.0050	6776.0050	170	100	175
63	6774.0063	6776.0063	190	100	225
75	6774.0075	6776.0075	270	150	305
90	6774.0090	6776.0090	270	150	305
110	6774.0110	6776.0110	340	180	380
125	6774.0125	6776.0125	340	180	380
140	6774.0140	6776.0140	390	200	460
160	6774.0160	6776.0160	390	200	460
200	6774.0200	6776.0200	470	250	535
225	6774.0225	6776.0225	470	250	535
250	6774.0250	6776.0250	550	300	615
280	6774.0280	6776.0280	605	350	615
315	6774.0315	6776.0315	695	400	715
355	6774.0355	6776.0355	820	500	780
400	6774.0400	6776.0400	990	550	1070
450	6774.0450	6776.0450	1005	550	1100
500	6774.0500	6776.0550	1215	700	1250
560	6774.0560	6776.0560	1230	700	1282
630	6774.0630	6776.0630	1245	700	1315

Note: Other degree bends made to order

Note: This fitting is suitable for butt weld only and will need to be extended for electrofusion



90° SEGMENTED BEND (6824/6826)

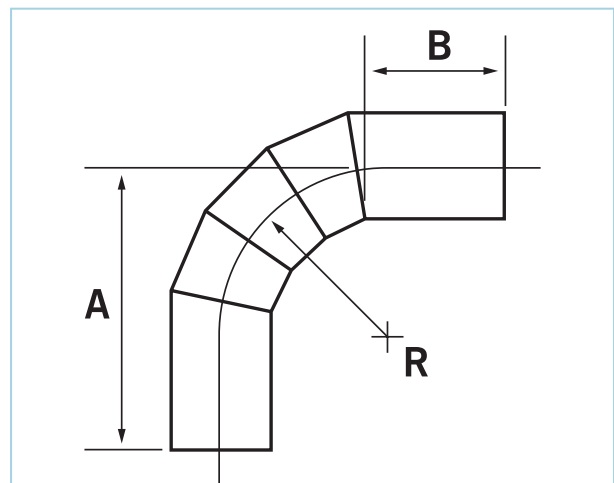
PE100 • SDR11 • SDR17

SIZE (mm)	CODE SDR11 (6824)	CODE SDR17 (6826)	A (mm)	B (mm)	R (mm)
90	6824.0090	6826.0090	235	100	135
110	6824.0110	6826.0110	265	100	165
125	6824.0125	6826.0125	338	150	188
140	6824.0140	6826.0140	360	150	210
160	6824.0160	6826.0160	390	150	240
200	6824.0200	6826.0200	450	150	300
225	6824.0225	6826.0225	488	150	338
250	6824.0250	6826.0250	625	250	375
280	6824.0280	6826.0280	670	250	420
315	6824.0315	6826.0315	777	300	477
355	6824.0355	6826.0355	833	300	533
400	6824.0400	6826.0400	900	300	600
450	6824.0450	6826.0450	975	300	675
500	6824.0500	6826.0500	1100	350	750
560	6824.0560	6826.0560	1190	350	840
630	6824.0630	6826.0630	1295	350	945

Note 1: Other degree bends made to order

Note 2: This fitting is suitable for butt weld only and will need to be extended for electrofusion

Note 3: Pressure re-rating applies. Contact Acu-Tech for more information



45° SEGMENTED BEND (6844/6846)

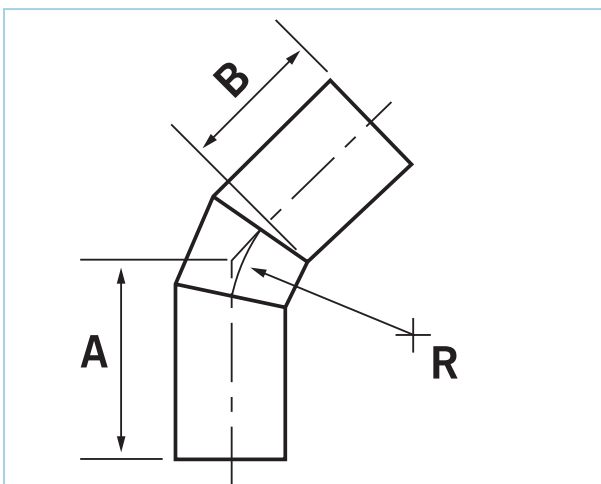
PE100 • SDR11 • SDR17

SIZE (mm)	CODE SDR11 (6844)	CODE SDR17 (6846)	A (mm)	B (mm)	R (mm)
90	6844.0090	6846.0090	156	100	135
110	6844.0110	6846.0110	168	100	165
125	6844.0125	6846.0125	227	150	188
140	6844.0140	6846.0140	237	150	210
160	6844.0160	6846.0160	249	150	240
200	6844.0200	6846.0200	274	150	300
225	6844.0225	6846.0225	290	150	338
250	6844.0250	6846.0250	412	250	375
280	6844.0280	6846.0280	474	250	420
315	6844.0315	6846.0315	498	300	477
355	6844.0355	6846.0355	520	300	533
400	6844.0400	6846.0400	548	300	600
450	6844.0450	6846.0450	580	300	675
500	6844.0500	6846.0500	665	350	750
560	6844.0560	6846.0560	698	350	840
630	6844.0630	6846.0630	741	350	945

Note 1: Other degree bends made to order

Note 2: This fitting is suitable for butt weld only and may need to be extended for electrofusion

Note 3: Pressure re-rating applies. Contact Acu-Tech for more information

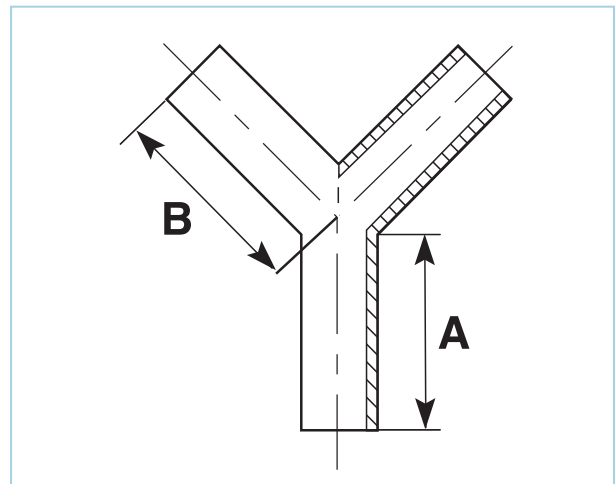


FABRICATED TRUE Y JUNCTION (6704/6706)

PE100 • SDR11 • SDR17

SIZE (mm)	CODE SDR11 (6704)	CODE SDR17 (6706)	A (mm)	B (mm)
90	6704.0090	6706.0090	200	450
110	6704.0110	6706.0110	250	450
125	6704.0125	6706.0125	250	450
140	6704.0140	6706.0140	500	600
160	6704.0160	6706.0160	500	600
180	6704.0180	6706.0180	500	750
200	6704.0200	6706.0200	500	750
225	6704.0225	6706.0225	550	750
250	6704.0250	6706.0250	650	900
280	6704.0280	6706.0280	650	900
315	6704.0315	6706.0315	700	1050
355	6704.0355	6706.0355	700	1180
400	6704.0400	6706.0400	1100	1250
450	6704.0450	6706.0450	1100	1300
500	6704.0500	6706.0500	1200	1400
560	6704.0560	6706.0560	1200	1400
630	6704.0630	6706.0630	1200	1440

Note: Pressure re-rating applies. Contact Acu-Tech for more information

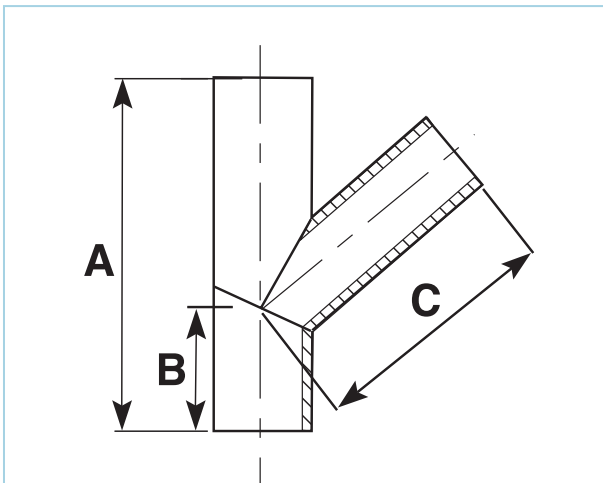


FABRICATED 45° JUNCTION (6694/6696)

PE100 • SDR11 • SDR17

SIZE (mm)	CODE SDR11 (6694)	CODE SDR17 (6696)	A (mm)	B (mm)	C (mm)
90	6694.0090	6696.0090	700	270	430
110	6694.0110	6696.0110	700	270	430
125	6694.0125	6696.0125	750	300	450
140	6694.0140	6696.0140	780	300	480
160	6694.0160	6696.0160	850	330	520
180	6694.0180	6696.0180	950	360	590
200	6694.0200	6696.0200	960	370	590
225	6694.0225	6696.0225	1080	420	660
250	6694.0250	6696.0250	1150	450	710
280	6694.0280	6696.0280	1250	500	750
315	6694.0315	6696.0315	1350	530	820
355	6694.0355	6696.0355	1450	570	880
400	6694.0400	6696.0400	1550	600	950
450	6694.0450	6696.0450	1850	650	1200
500	6694.0500	6696.0500	2100	700	1400
560	6694.0560	6696.0560	2200	800	1400
630	6694.0630	6696.0630	2300	800	1500

Note 1: Pressure re-rating applies. Contact Acu-Tech for more information
 Note 2: Fully pressure rated injection moulded junctions available on request



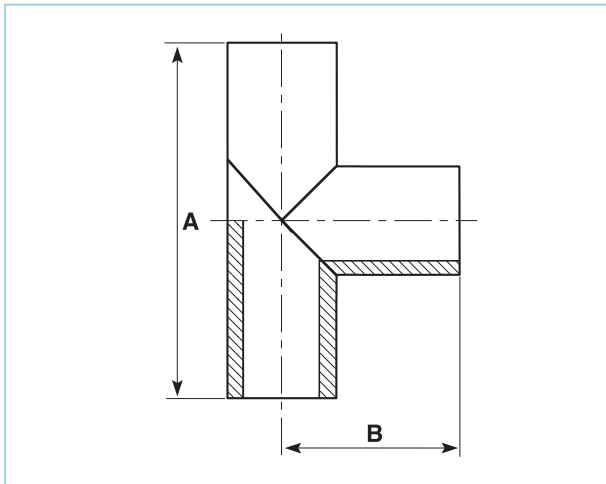
FABRICATED TEE (6154/6156)

PE100 • SDR11 • SDR17

SIZE (mm)	CODE SDR11 (6154)	CODE SDR17 (6156)	A (mm)	B (mm)
90	6154.0090	6156.0090	400	200
110	6154.0110	6156.0110	500	250
125	6154.0125	6156.0125	500	250
140	6154.0140	6156.0140	500	500
160	6154.0160	6156.0160	600	500
200	6154.0200	6156.0200	650	500
225	6154.0225	6156.0225	650	550
250	6154.0250	6156.0250	700	650
280	6154.0280	6156.0280	700	650
315	6154.0315	6156.0315	800	700
355	6154.0355	6156.0355	800	700
400	6154.0400	6156.0400	1000	1100
450	6154.0450	6156.0450	1000	1100
500	6154.0500	6156.0500	1200	1200
560	6154.0560	6156.0560	1200	1200
630	6154.0630	6156.0630	1200	1200

Note: Pressure re-rating applies. Contact Acu-Tech for more information

44

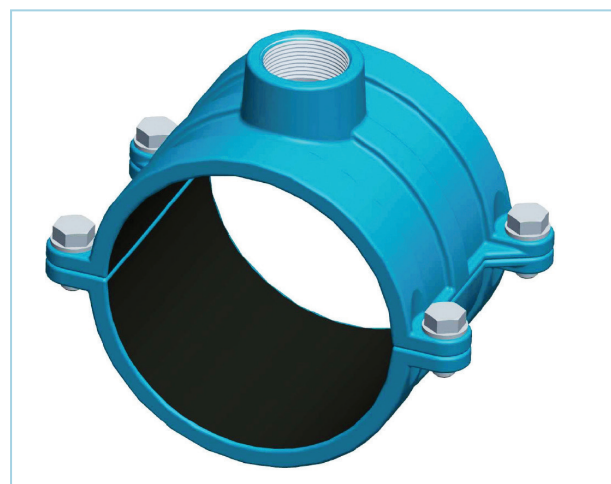
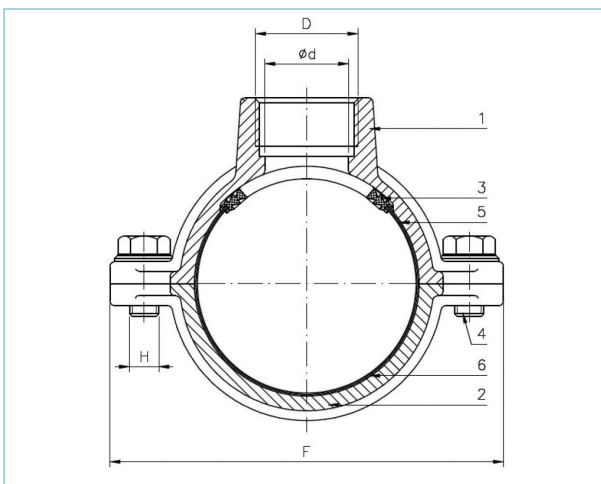


MECHANICAL TAPPING BAND FEMALE THREADED OFF-TAKE SDR11-21 WATER PN16

CODE	PIPE (mm)	OFF-TAKE SIZE INCH	OFF TAKE SIZE METRIC
92343220	32	x ¾"	20
92344020	40	x ¾"	20
92344025	40	x 1"	25
92345025	50	x 1"	25
92346325	63	x 1"	25
92346332	63	x 1¼"	32
92346340	63	x 1½"	40
92346350	63	x 2"	50
92347525	75	x 1"	25
92347532	75	x 1¼"	32
92347540	75	x 1½"	40
92347550	75	x 2"	50
92349025	90	x 1"	25
92349040	90	x 1½"	40
92349050	90	x 2"	50
92341125	110	x 1"	25
92341132	110	x 1¼"	32
92341140	110	x 1½"	40

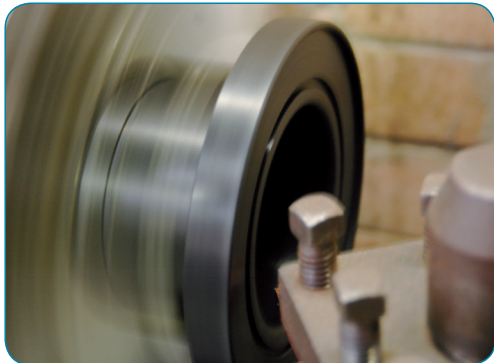
CODE	PIPE (mm)	OFF-TAKE SIZE INCH	OFF TAKE SIZE METRIC
92341150	110	x 2"	50
92341225	125	x 1"	25
92341232	125	x 1¼"	32
92341240	125	x 1½"	40
92341250	125	x 2"	50
92341450	140	x 2"	50
92341625	160	x 1"	25
92341650	160	x 2"	50
92341825	180	x 1"	25
92341832	180	x 1¼"	32
92341840	180	x 1½"	40
92341850	180	x 2"	50
92342025	200	x 1"	25
92342050	200	x 2"	50
92342250	225	x 2"	50
92342525	250	x 1"	50
92342850	280	x 2"	50
92343150	315	x 2"	50

- Acu-Flow DCI tapping bands from Acu-Tech are the ultimate solution for connection of branch pipelines to PE main pipelines for cold water.
- Constructed of epoxy coated solid ductile cast iron (DCI) with EPDM rubber seal, these fittings are designed to be durable and leak free.
- Upper and lower parts are fully rubber lined to prevent rotational movement of the tapping band on pipe



PE FABRICATION SERVICES

With a fully equipped plastic fabrication workshop and experienced and qualified operators, Acu-Tech Piping Systems fabricates spools and components from pipe and sheet to client specifications.



SUMMARY OF ELECTROFUSION PROCEDURE GUIDELINES

1. Cut the pipe square and remove burrs. Check pipe end for damage, correct O.D. and ovality and wipe away loose dirt.
2. Without removing the protective wrap, place the centre of the electrofusion fitting alongside the pipe end and mark the pipe around the circumference, approximately 15mm past the end of the socket using a felt tip pen.
3. Using a pipe scraping tool, scrape the entire surface of the pipe over the marked area to a depth of approximately 0.3mm, preferably as a continuous ribbon or strip.

Note: The use of mechanical scraping tools is recommended as hand scraping requires great care and can be time-consuming especially on larger diameter pipes. It is essential that material is removed by scraping or peeling; scratching or abrading is not sufficient, and will affect joint integrity.

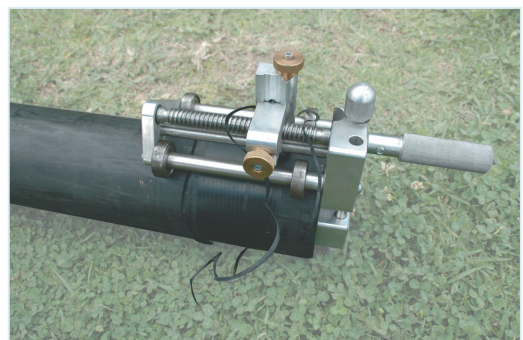
4. Using disposable isopropanol welding wipes, clean the scraped area of the pipes (and the inside of the fitting if required). Once scraped and wiped do not touch the cleaned ends of the pipe or the inside of the fitting with your hands or rags. Ensure that pipe and fitting are completely dry before assembling fitting. Do not use any other cleaning fluid, primer or solvent.
5. Good practice is to cut one side of the bag around the fitting, check that the inside of the fitting is clean and dry and insert the first scraped pipe end. Leave the bag over the fitting whilst you scrape the second pipe end to protect fitting from contamination. Then remove bag and insert second pipe into the fitting. If fitting is a very tight fit and has to be tapped on, take care to keep the fitting square as the windings can be damaged. Alternatively, scrape pipe again.
6. Ensure the pipe ends are in contact with the centre stop and then put a witness mark at both ends of the fitting.
7. For all socket electrofusion fittings, (couplers, reducers, elbows, and tees) clamps must be used. The clamps must be adjusted to suit the particular size and type of fitting being welded so the pipes cannot move during the fusion cycle. If possible, rotate the fitting to check that the pipe ends are correctly aligned. If pipe is out of shape, re-rounding clamps should also be used.
8. If using a generator, check that there is sufficient fuel in the generator to complete the joint. Start the generator and check for correct operation.
9. Turn on the welder and connect the ECU output leads to the fitting terminals.

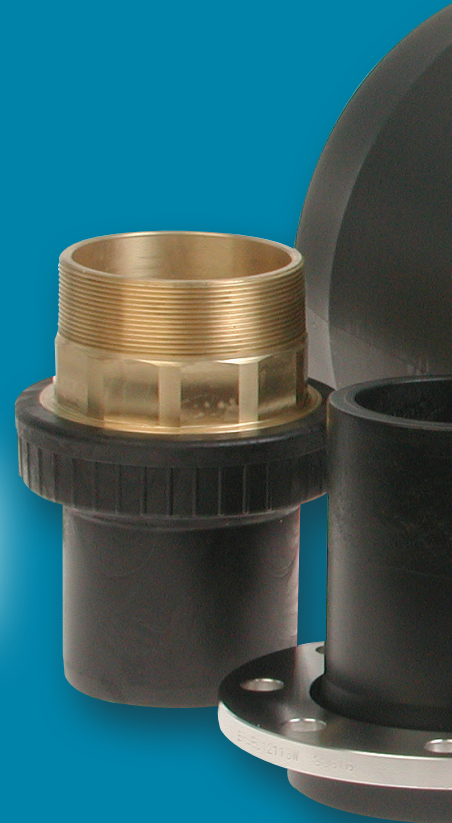
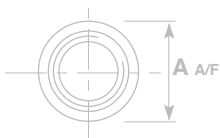
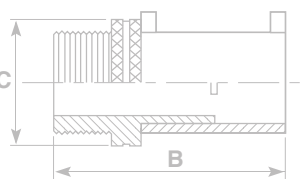
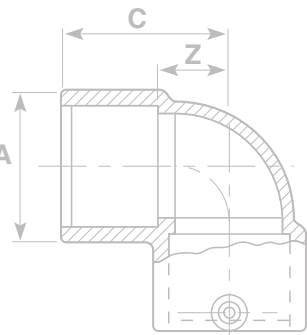
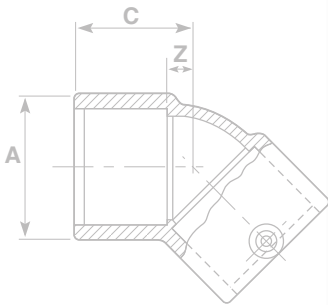
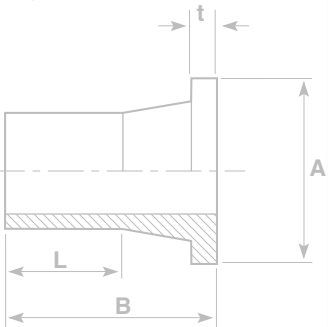
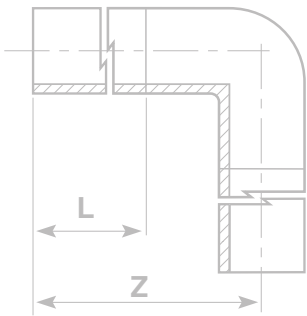
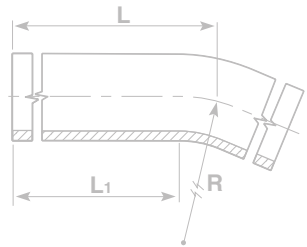
10. Operate the ECU according to the instructions, which should be carefully read and understood prior to any welding operations. The ECU will either have some form of automatic operating system or require manual operation. Whichever system the ECU uses, all fittings are marked with fusion time and cool time in seconds plus the necessary input voltage.

11. Once the weld is complete and the machine has stopped, remove the leads to the fitting, taking care not to disturb the fitting. Visually check the fitting to make sure the two rising melt indicators have come out (usually min. of 3mm) and that the pipe has not moved during the weld. Allow the full cool time to elapse before removing clamps or moving pipe. The last joint should have completely cooled down before the pipeline is pressurized.

Electrofusion fittings should be left in the protective bag until needed and must not be stored in direct sunlight.

NB: This summary is intended for basic information purposes only. It must not be used in place of formal training and accreditation





Western Australia

t • (08) 9238 8000
 f • (08) 9238 8088
 e • sales@acu-tech.com.au

Victoria

t • (03) 9338 0300
 f • (03) 9338 0600
 e • salesvic@acu-tech.com.au

Visit us online at:
www.acu-tech.com.au